

Fax Option Type 3245
(Machine Code: B712)

SERVICE MANUAL

15 February, 2005
Subject to change

TABLE OF CONTENTS

1. INSTALLATION	1-1
1.1 PROCEDURE OVERVIEW	1-1
1.2 FAX UNIT	1-3
Accessory Check	1-3
Installation Procedure	1-4
When you use the hand set or an external telephone:.....	1-5
1.3 G3 INTERFACE UNIT	1-6
Accessory Check	1-6
Installation Procedure	1-7
Do the procedures below for either single port or double ports.....	1-8
1.4 EXPANSION MEMORY	1-11
1.5 HANDSET	1-12
Accessory Check	1-12
Installation Procedure	1-13
2. REPLACEMENT AND ADJUSTMENT.....	2-1
2.1 NOTES FOR FCU BOARD REPLACEMENT.....	2-1
3. TROUBLESHOOTING	3-1
3.1 ERROR CODES.....	3-1
3.2 IP-FAX TROUBLESHOOTING PROCEDURES.....	3-13
3.3 FAX SC CODES.....	3-16
3.3.1 OVERVIEW	3-16
3.3.2 SC1201.....	3-16
3.3.3 FAX SC CODE TABLE.....	3-17
4. SERVICE TABLES.....	4-1
4.1 SERVICE PROGRAM MODE.....	4-1
4.1.1 SERVICE PROGRAM MODE OPERATION.....	4-1
Entering and Exiting SP Mode	4-1
SP Mode Button Summary	4-2
Switching Between SP Mode and Copy Mode for Test Printing	4-3
Selecting the Program Number.....	4-3
4.1.2 SERVICE PROGRAM MODE TABLES	4-4
4.2 BIT SWITCHES	4-10
4.2.1 SYSTEM SWITCHES	4-10
4.2.2 I-FAX SWITCHES.....	4-20
4.2.3 PRINTER SWITCHES	4-26
4.2.4 COMMUNICATION SWITCHES.....	4-32
4.2.5 G3 SWITCHES	4-40
4.2.6 G3-2/3 SWITCHES.....	4-47
4.2.7 G4 INTERNAL SWITCHES	4-53
4.2.8 G4 PARAMETER SWITCHES.....	4-53
4.2.9 IP FAX SWITCHES	4-53
4.3 NCU PARAMETERS	4-59

4.4 DEDICATED TRANSMISSION PARAMETERS	4-68
4.4.1 PROGRAMMING PROCEDURE	4-68
4.4.2 PARAMETERS	4-69
4.5 SERVICE RAM ADDRESSES	4-72
5. DETAILED SECTION DESCRIPTIONS	5-1
5.1 OVERVIEW	5-1
5.2 BOARDS	5-2
5.2.1 FCU	5-2
5.2.2 MBU	5-3
5.2.3 SG3 BOARD	5-4
5.3 VIDEO DATA PATH	5-5
5.3.1 TRANSMISSION	5-5
Memory Transmission and Parallel Memory Transmission	5-6
Immediate Transmission	5-6
JBIG Transmission	5-6
Adjustments	5-6
5.3.2 RECEPTION	5-7
5.4 FAX COMMUNICATION FEATURES	5-8
5.4.1 MULTI-PORT	5-8
5.4.2 DOCUMENT SERVER	5-9
5.4.3 INTERNET MAIL COMMUNICATION	5-10
Mail Transmission	5-10
Mail Reception	5-11
Handling Mail Reception Errors	5-13
Secure Internet Reception	5-13
Transfer Request	5-14
E-Mail Options (Sub TX Mode)	5-15
Subject and Level of Importance	5-15
How the Subject Differs According to Mail Type	5-15
Subjects Displayed on the PC	5-15
E-mail Messages	5-16
Message Disposition Notification (MDN)	5-17
Handling Reports	5-18
5.5 IP-FAX	5-19
What is IP-FAX?	5-19
T.38 Packet Format	5-19
SPECIFICATIONS	SPEC-1
1. GENERAL SPECIFICATIONS	SPEC-1
2. CAPABILITIES OF PROGRAMMABLE ITEMS	SPEC-2
3. IFAX SPECIFICATIONS	SPEC-3
4. IP-FAX SPECIFICATIONS	SPEC-4
5. MACHINE CONFIGURATION	SPEC-5

1. INSTALLATION

1.1 PROCEDURE OVERVIEW

WARNING

1. Never install telephone wiring during a lightning storm.
2. Never install telephone jacks in wet locations unless the jack is specifically designed for wet locations.
3. Never touch uninsulated telephone wires or terminals unless the telephone line has been disconnected at the network interface.
4. Use caution when you install or modify telephone lines.
5. Do not use the telephone (other than a cordless type) during an electrical storm. There may be remote risk of electric shock from lightning.
6. Do not use a telephone or cellular phone to report a gas leak in the vicinity of the leak.

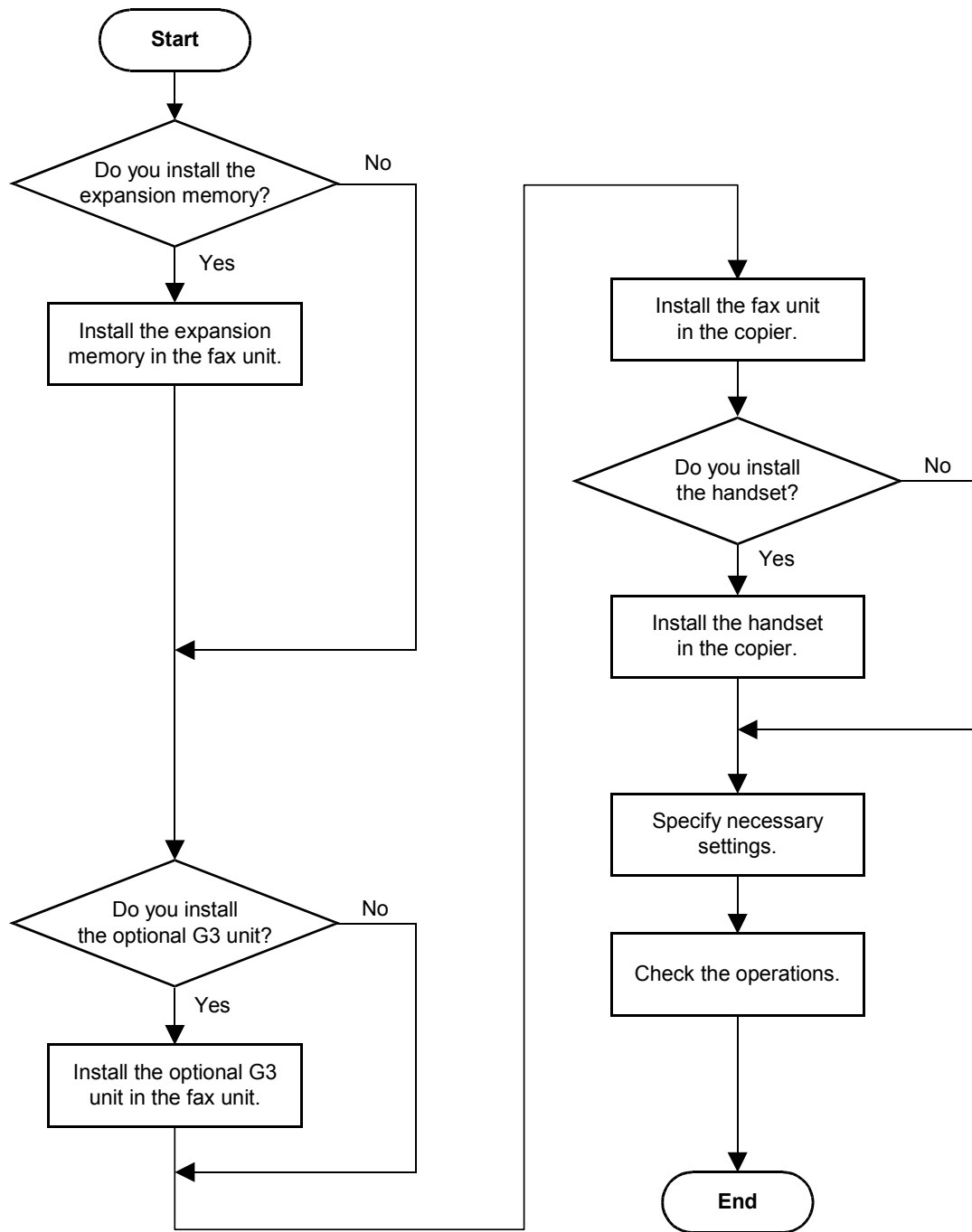
CAUTION

1. Turn off the main switch and disconnect the power cord before you install the fax unit.
2. The fax unit contains a lithium battery. The danger of explosion exists if a battery of this type is incorrectly replaced. Replace only with the same or an equivalent type recommended by the manufacturer. Discard batteries in accordance with the manufacturer's instructions and local regulations.

NOTE FOR AUSTRALIA

Unit must be connected to Telecommunication Network through a line cord which meets the requirements of ACA Technical Standard TS008.

The flowchart shows the installation procedure.



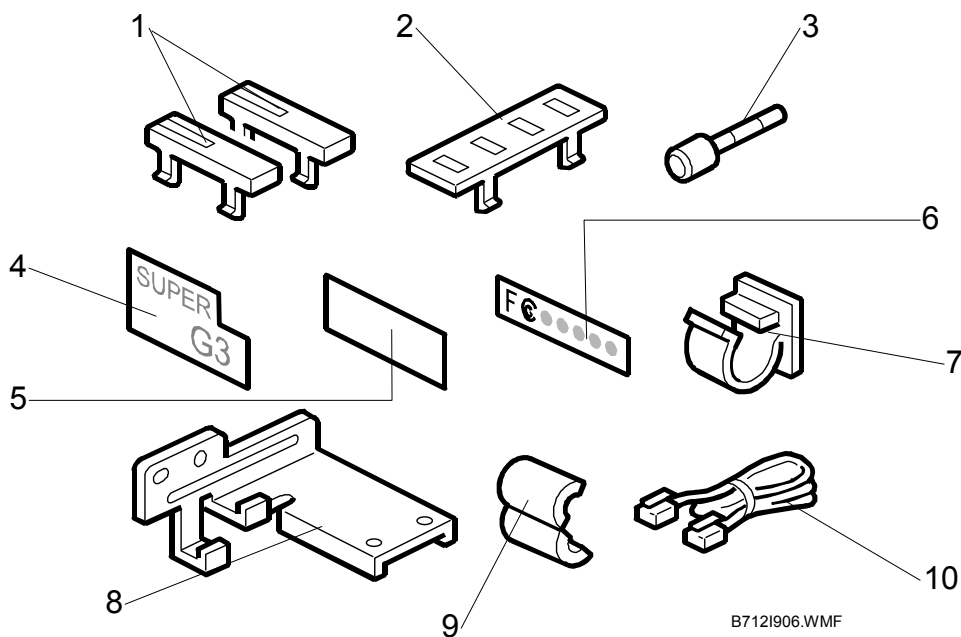
B712I910.WMF

1.2 FAX UNIT

Accessory Check

Check the quantity and condition of the following accessories:

Description	Q'ty
1. Fax key	2
2. Fax panel	1
3. Stamp	1
4. G3 decal	1
5. Serial number decal	1
6. FCC decal (for North America model only)	1
7. Cable holder	1
8. Base bracket (for North America model only)	1
9. Core	1
10. Telephone line (for North America model only)	1



NOTE: You need the cable holder when you install the optional handset (North America model only).

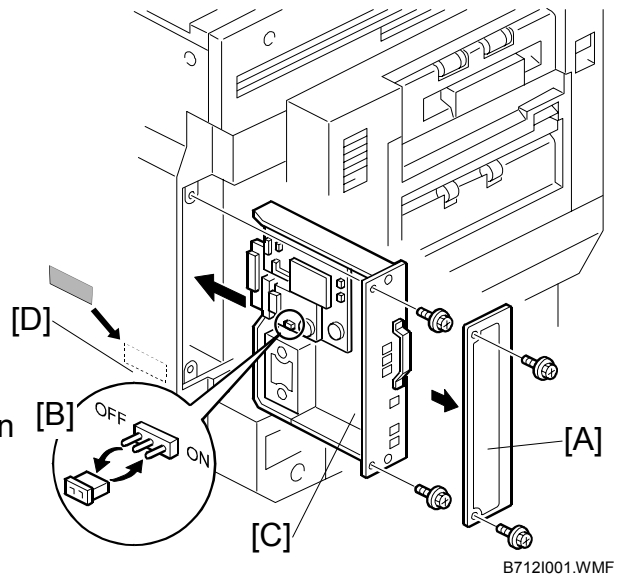
Installation Procedure

⚠ CAUTION

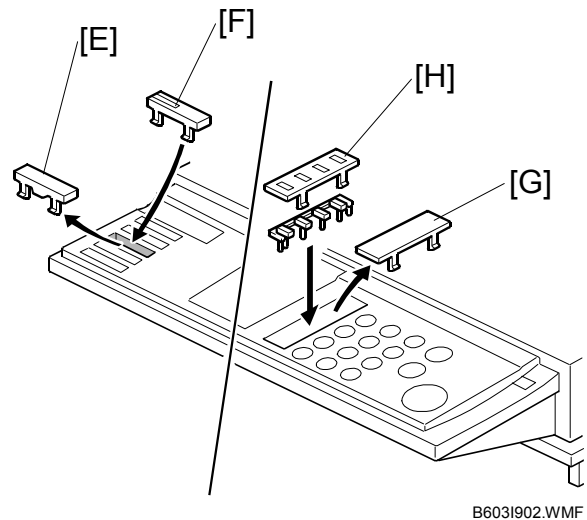
Do the following before you install this option:

- 1. Print out all data in the printer buffer if there is a printer option in the machine.**
- 2. Press the operation switch to the standby mode. Make sure the power LED is not lit. Then turn off the main switch and disconnect the power cord and the network cable.**

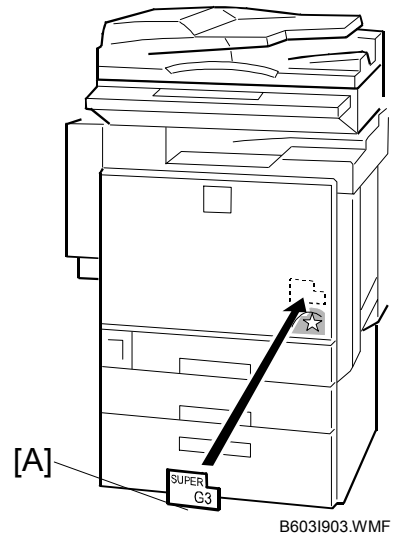
1. Remove the option cover [A] (⚙ x 2).
2. Change the position of the jogger switch [B] from "OFF" to "ON".
3. Carefully press down the MBU.
NOTE: Make sure that the MBU is seated correctly. If not, SC819 occurs.
4. Install the fax unit [C] (⚙ x 2).
5. Attach the serial number decal [D] on the rear cover.
6. Attach the FCC decal on the rear cover (only for USA/Canada).



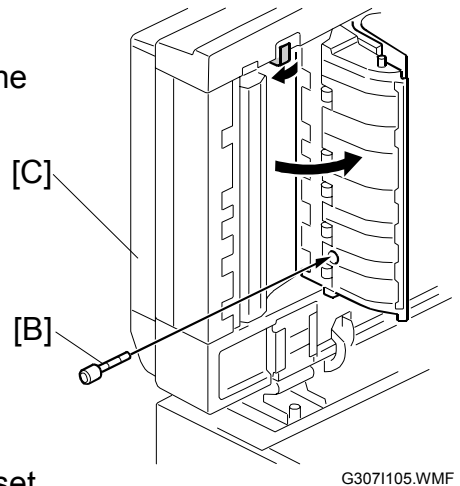
7. Remove the key cover [E]. Then install one of the fax keys [F].
8. Remove the panel cover [G]. Then install the fax panel [H].



9. Attach the G3 decal [A].



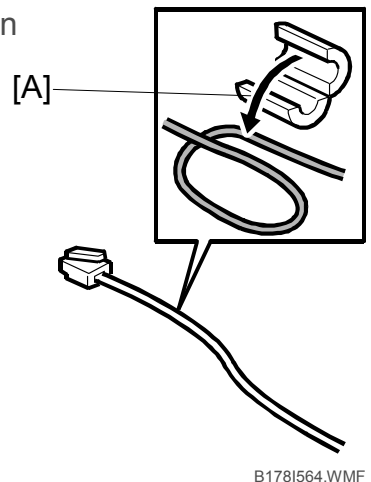
10. Install the stamp [B] to the ADF [C] (if installed).
11. Connect the telephone line to "LINE 1" jack at the left of the machine.
12. Turn the main switch on.



13. Make sure that the date and time are correctly set.
14. Enter the service mode. Then program the serial number into the fax unit (SP3-102-000). You can find the serial number on the serial number decal (attached to the machine in step 5).

When you use the hand set or an external telephone:

Put the core [A] to the telephone line for the hand set or an external telephone as shown.

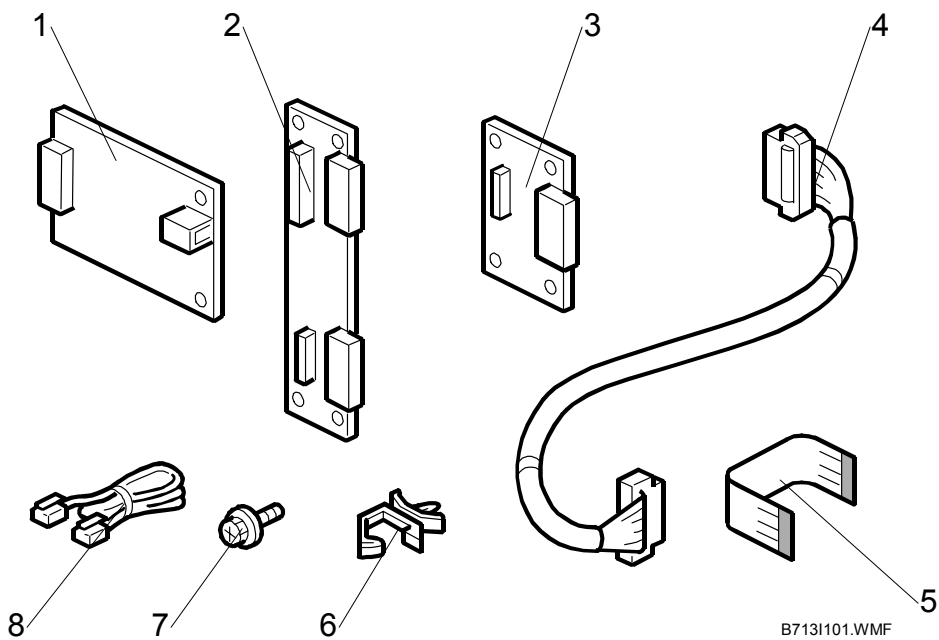


1.3 G3 INTERFACE UNIT

Accessory Check

Check the quantity and condition of the following accessories:

Description	Q'ty
1. G3 board.....	1
2. Interface board.....	1
3. CCU drive board.....	1
4. Cable.....	1
5. Flat cable.....	1
6. Clamp.....	1
7. Screw M3 x 6.....	10
8. Telephone line (for North America model only).....	1

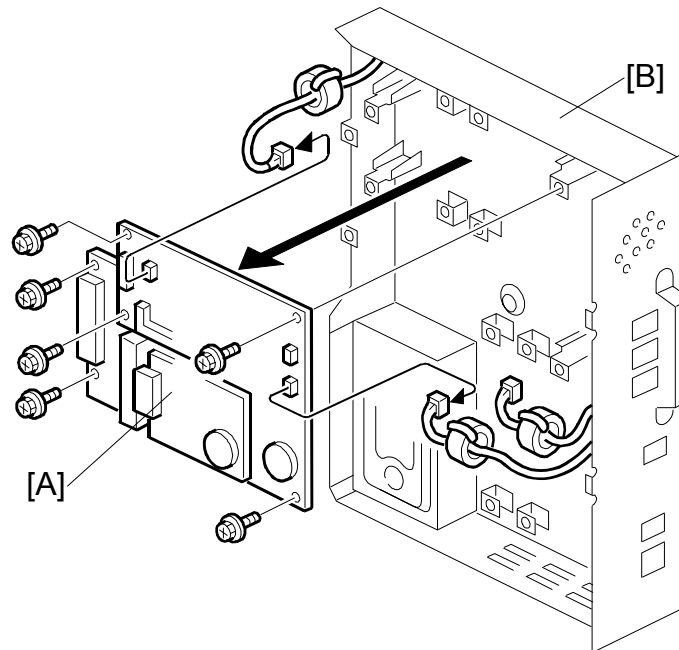


Installation Procedure**⚠ CAUTION**

Do the following before you install this option:

1. Print out all data in the printer buffer if there is a printer option in the machine.
2. Press the operation switch to the standby mode. Make sure the power LED is not lit. Then turn off the main switch and disconnect the power cord and the network cable.

Installation

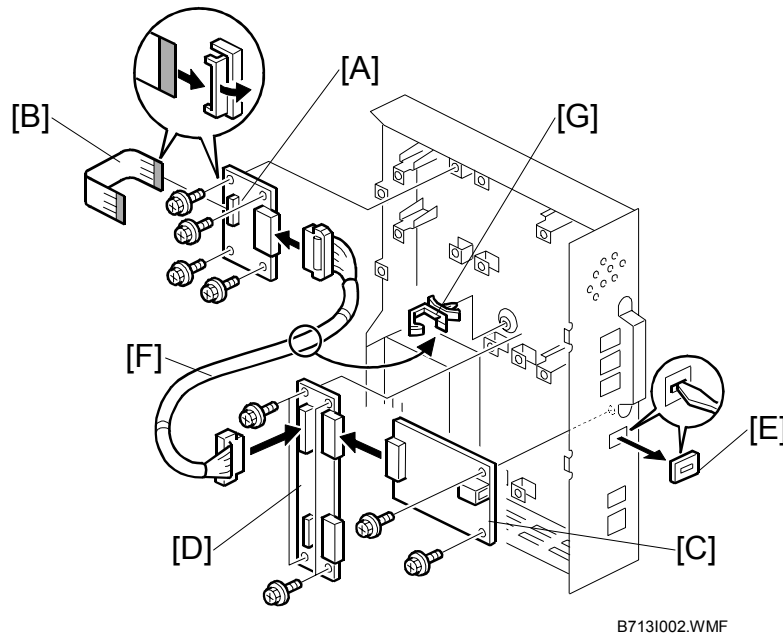


B7131001.WMF

1. Remove the fax controller board [A] from the fax controller base [B] (⚙ x 3, 🔧 x 6).

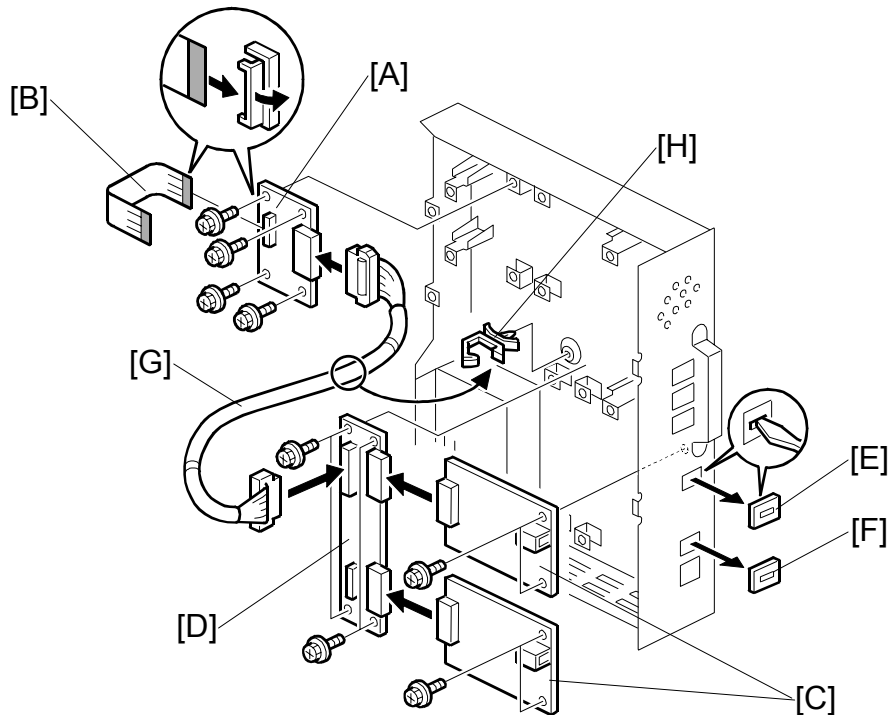
Do the procedures below for either single port or double ports.

For Single Port Installation



1. Install the CCU drive board [A] on the spacers (⌀ x 4).
2. Install the flat cable [B] to the CCU drive board.
NOTE: Make sure that the blue side of the flat cable faces up.
3. Connect the G3 board [C] to the interface board [D].
4. Remove the "LINE 2" cover [E].
5. Attach the interface board and G3 board to the spacers (⌀ x 6).
6. Connect the cable [F] to the interface board and CCU drive board.
7. Attach the clamp [G] and bind the cable [F] with this clamp.

For Dual Port Installation



B713I003.WMF

1. Install the CCU drive board [A] on the spacers (⌀ x 4).
2. Install the flat cable [B] to the CCU drive board.
NOTE: Make sure that the blue side of the flat cable faces up.
3. Connect the two G3 boards [C] to the interface board [D].
4. Remove the "LINE 2" cover [E] and the "LINE 3" cover [F].
5. Attach the interface board and two G3 boards to the spacers (⌀ x 8).
6. Connect the cable [G] to the interface board and CCU drive board.
7. Attach the clamp [H] and bind the cable [G] with this clamp.

For Single and Dual Ports Installation

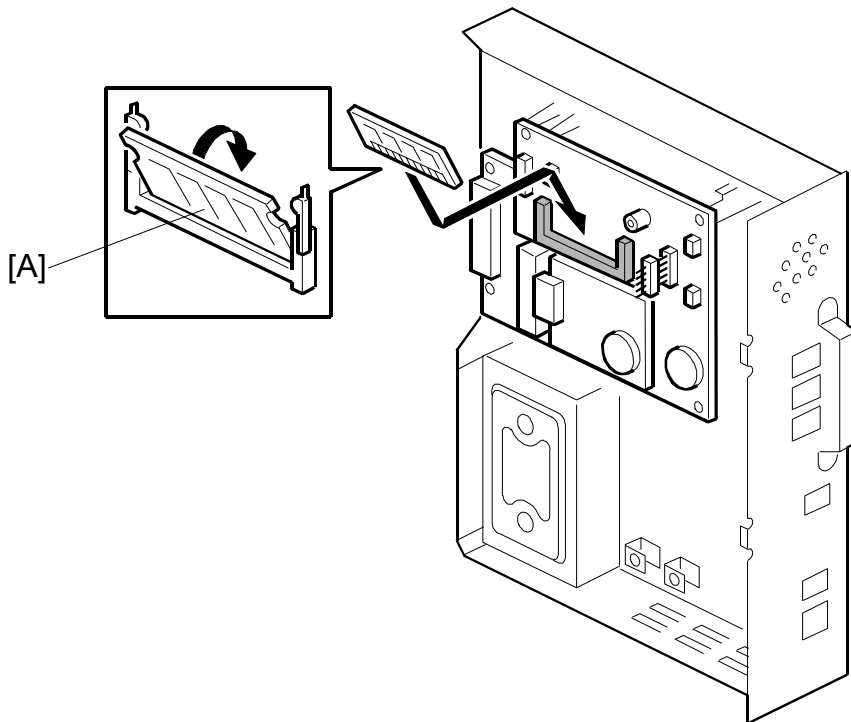
1. Install the fax-controller board to the fax-controller base (🔌 x 6, 📁 x 3).
2. Carefully press down the MBU.
NOTE: Make sure that the MBU is seated correctly. If not, SC819 occurs. Also make sure that the jumper switch on the MBU is set to "ON".
3. Connect the flat cable to the fax controller board.
NOTE: Make sure that the blue side of the flat cable faces up.
4. Install the fax unit to the copier.
5. Turn the main switch on.
6. Enter the service mode. Set bit 1 of communication switch 16 to "1."
7. Set bit 3 of communication switch 16 to "1" (SP1-104-023) if you installed two G3 boards.
8. Turn the main switch off and on.
9. Print out the system parameter list. Then check that "G3" shows as an option.
10. Set up and program the items required for PSTN-2 communications.

1.4 EXPANSION MEMORY

CAUTION

Do the following before you install this option:

1. Print out all data in the printer buffer.
2. Turn off the main switch and disconnect the power cord and the network cable.



B7121002.WMF

1. Install the expansion memory [A] into the memory slot.
2. Assemble the copier.
3. Print out the system parameter list, and check that the correct memory size is shown (Fax SP6-101).

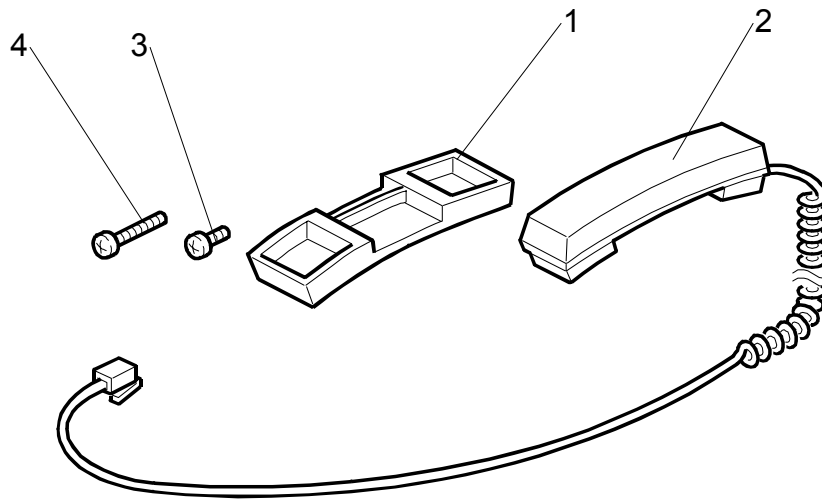
1.5 HANDSET

The optional handset is available for the U.S. version only.

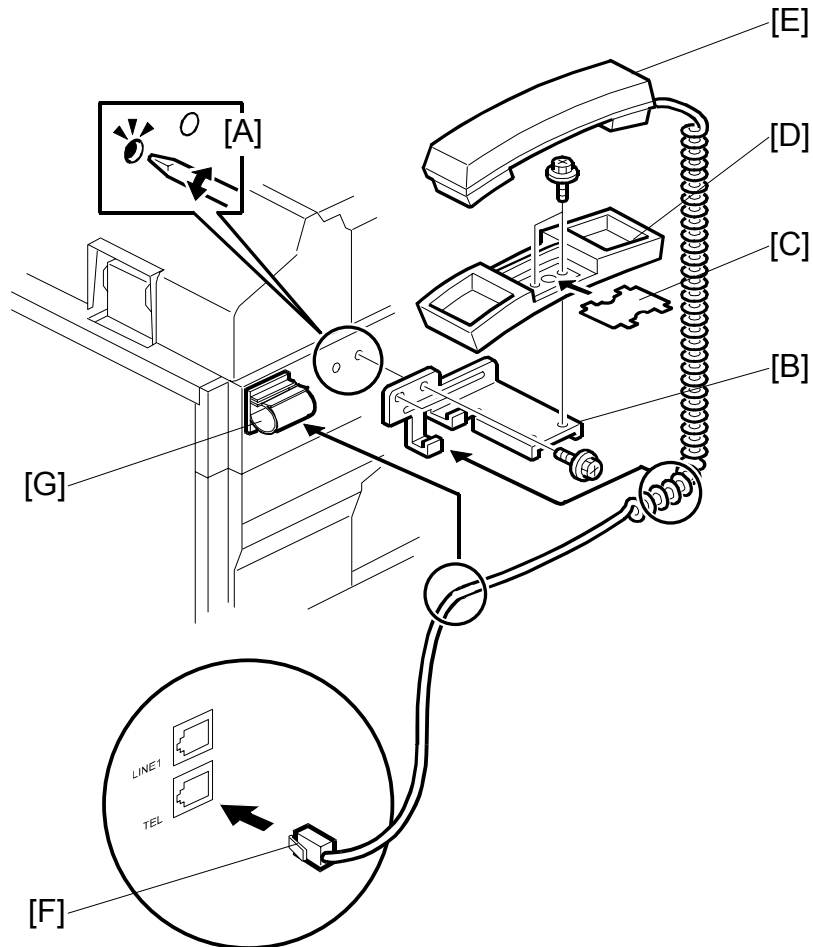
Accessory Check

Check the quantity and condition of the following accessories:

Description	Q'ty
1. Handset cradle.....	1
2. Handset	1
3. Screw M3 x 8	2
4. Screw M3 x 14	2



B433I909.WMF

Installation Procedure

B603I907.WMF

1. Make two holes [A] in the scanner left cover.
2. Attach the bracket [B] enclosed with the fax unit (⚙ x 2) as shown.
3. Remove the label [C] from the handset cradle [D].
4. Attach the cradle to the bracket [B] (⚙ x 2). Then replace the label [C].
5. Install the handset [E] on the cradle.
6. Connect the cable [F] to the "TEL" jack at the rear of the machine.
7. Attach the cable holder [G].

NOTE: The cable holder is distributed with the fax unit (not with the handset).

8. Fix the cable to the holder.

2. REPLACEMENT AND ADJUSTMENT

2.1 NOTES FOR FCU BOARD REPLACEMENT

1. When replacing the FCU board, remove the MBU board from the old FCU board and install it on the new FCU board.
2. Adjust the date and time (UP — System Settings — Timer Setting — Set Date/Set Time).

NOTE: 1) Do not turn off the battery switch (SW1).
2) Print out the system parameter list (SP6-101) to confirm the settings.

Replacement
Adjustment

3. TROUBLESHOOTING

3.1 ERROR CODES

If an error code occurs, retry the communication. If the same problem occurs, try to fix the problem as suggested below. Note that some error codes appear only in the error code display and on the service report.

Code	Meaning	Suggested Cause/Action
0-00	DIS/NSF not detected within 40 s of Start being pressed	<ul style="list-style-type: none"> • Check the line connection. • Check the NCU - FCU connectors. • The machine at the other end may be incompatible. • Replace the NCU or FCU. • Check for DIS/NSF with an oscilloscope. • If the rx signal is weak, there may be a bad line.
0-01	DCN received unexpectedly	<ul style="list-style-type: none"> • The other party is out of paper or has a jammed printer. • The other party pressed Stop during communication.
0-03	Incompatible modem at the other end	<ul style="list-style-type: none"> • The other terminal is incompatible.
0-04	CFR or FTT not received after modem training	<ul style="list-style-type: none"> • Check the line connection. • Check the NCU - FCU connectors. • Try changing the tx level and/or cable equalizer settings. • Replace the FCU or NCU. • The other terminal may be faulty; try sending to another machine. • If the rx signal is weak or defective, there may be a bad line. <p>Cross reference</p> <ul style="list-style-type: none"> • Tx level - NCU Parameter 01 (PSTN) • Cable equalizer - G3 Switch 07 (PSTN) • Dedicated Tx parameters - Section 4
0-05	Unsuccessful after modem training at 2400 bps	<ul style="list-style-type: none"> • Check the line connection. • Check the NCU - FCU connectors. • Try adjusting the tx level and/or cable equalizer. • Replace the FCU or NCU. • Check for line problems. <p>Cross reference</p> <ul style="list-style-type: none"> • See error code 0-04.

Trouble-
shooting

Code	Meaning	Suggested Cause/Action
0-06	The other terminal did not reply to DCS	<ul style="list-style-type: none"> • Check the line connection. • Check the FCU - NCU connectors. • Try adjusting the tx level and/or cable equalizer settings. • Replace the NCU or FCU. • The other end may be defective or incompatible; try sending to another machine. • Check for line problems. <p>Cross reference</p> <ul style="list-style-type: none"> • See error code 0-04.
0-07	No post-message response from the other end after a page was sent	<ul style="list-style-type: none"> • Check the line connection. • Check the FCU - NCU connectors. • Replace the NCU or FCU. • The other end may have jammed or run out of paper. • The other end user may have disconnected the call. • Check for a bad line. • The other end may be defective; try sending to another machine.
0-08	The other end sent RTN or PIN after receiving a page, because there were too many errors	<ul style="list-style-type: none"> • Check the line connection. • Check the FCU - NCU connectors. • Replace the NCU or FCU. • The other end may have jammed, or run out of paper or memory space. • Try adjusting the tx level and/or cable equalizer settings. • The other end may have a defective modem/NCU/FCU; try sending to another machine. • Check for line problems and noise. <p>Cross reference</p> <ul style="list-style-type: none"> • Tx level - NCU Parameter 01 (PSTN) • Cable equalizer - G3 Switch 07 (PSTN) • Dedicated Tx parameters - Section 4
0-14	Non-standard post message response code received	<ul style="list-style-type: none"> • Check the FCU - NCU connectors. • Incompatible or defective remote terminal; try sending to another machine. • Noisy line: resend. • Try adjusting the tx level and/or cable equalizer settings. • Replace the NCU or FCU. <p>Cross reference</p> <ul style="list-style-type: none"> • See error code 0-08.

Code	Meaning	Suggested Cause/Action
0-15	The other terminal is not capable of specific functions.	<p>The other terminal is not capable of accepting the following functions, or the other terminal's memory is full.</p> <ul style="list-style-type: none"> • Confidential rx • Transfer function • SEP/SUB/PWD/SID
0-16	CFR or FTT not detected after modem training in confidential or transfer mode	<ul style="list-style-type: none"> • Check the line connection. • Check the FCU - NCU connectors. • Replace the NCU or FCU. • Try adjusting the tx level and/or cable equalizer settings. • The other end may have disconnected, or it may be defective; try calling another machine. • If the rx signal level is too low, there may be a line problem. <p>Cross reference</p> <ul style="list-style-type: none"> • See error code 0-08.
0-20	Facsimile data not received within 6 s of retraining	<ul style="list-style-type: none"> • Check the line connection. • Check the FCU - NCU connectors. • Replace the NCU or FCU. • Check for line problems. • Try calling another fax machine. • Try adjusting the reconstruction time for the first line and/or rx cable equalizer setting. <p>Cross reference</p> <ul style="list-style-type: none"> • Reconstruction time - G3 Switch 0A, bit 6 • Rx cable equalizer - G3 Switch 07 (PSTN)
0-21	EOL signal (end-of-line) from the other end not received within 5 s of the previous EOL signal	<ul style="list-style-type: none"> • Check the connections between the FCU, NCU, & line. • Check for line noise or other line problems. • Replace the NCU or FCU. • The remote machine may be defective or may have disconnected. <p>Cross reference</p> <ul style="list-style-type: none"> • Maximum interval between EOLs and between ECM frames - G3 Bit Switch 0A, bit 4
0-22	The signal from the other end was interrupted for more than the acceptable modem carrier drop time (default: 200 ms)	<ul style="list-style-type: none"> • Check the line connection. • Check the FCU - NCU connectors. • Replace the NCU or FCU. • Defective remote terminal. • Check for line noise or other line problems. • Try adjusting the acceptable modem carrier drop time. <p>Cross reference</p> <ul style="list-style-type: none"> • Acceptable modem carrier drop time - G3 Switch 0A, bits 0 and 1

Code	Meaning	Suggested Cause/Action
0-23	Too many errors during reception	<ul style="list-style-type: none"> • Check the line connection. • Check the FCU - NCU connectors. • Replace the NCU or FCU. • Defective remote terminal. • Check for line noise or other line problems. • Try asking the other end to adjust their tx level. • Try adjusting the rx cable equalizer setting and/or rx error criteria. <p>Cross reference</p> <ul style="list-style-type: none"> • Rx cable equalizer - G3 Switch 07 (PSTN) • Rx error criteria - Communication Switch 02, bits 0 and 1
0-30	The other terminal did not reply to NSS(A) in AI short protocol mode	<ul style="list-style-type: none"> • Check the line connection. • Check the FCU - NCU connectors. • Try adjusting the tx level and/or cable equalizer settings. • The other terminal may not be compatible. <p>Cross reference</p> <ul style="list-style-type: none"> • Dedicated tx parameters - Section 4
0-32	The other terminal sent a DCS, which contained functions that the receiving machine cannot handle.	<ul style="list-style-type: none"> • Check the protocol dump list. • Ask the other party to contact the manufacturer.
0-52	Polarity changed during communication	<ul style="list-style-type: none"> • Check the line connection. • Retry communication.
0-55	FCE does not detect the SG3-V34.	<ul style="list-style-type: none"> • FCU firmware or board defective. • SG3-V34 firmware or board defective.
0-56	The stored message data exceeds the capacity of the mailbox in the SG3-V34.	<ul style="list-style-type: none"> • SG3-V34 firmware or board defective.
0-70	The communication mode specified in CM/JM was not available (V.8 calling and called terminal)	<ul style="list-style-type: none"> • The other terminal did not have a compatible communication mode (e.g., the other terminal was a V.34 data modem and not a fax modem.) • A polling tx file was not ready at the other terminal when polling rx was initiated from the calling terminal.
0-74	The calling terminal fell back to T.30 mode, because it could not detect ANSam after sending CI.	<ul style="list-style-type: none"> • The calling terminal could not detect ANSam due to noise, etc. • ANSam was too short to detect. • Check the line connection and condition. • Try making a call to another V.8/V.34 fax.
0-75	The called terminal fell back to T.30 mode, because it could not detect a CM in response to ANSam (ANSam timeout).	<ul style="list-style-type: none"> • The terminal could not detect ANSam. • Check the line connection and condition. • Try receiving a call from another V.8/V.34 fax.

Code	Meaning	Suggested Cause/Action
0-76	The calling terminal fell back to T.30 mode, because it could not detect a JM in response to a CM (CM timeout).	<ul style="list-style-type: none"> The called terminal could not detect a CM due to noise, etc. Check the line connection and condition. Try making a call to another V.8/V.34 fax.
0-77	The called terminal fell back to T.30 mode, because it could not detect a CJ in response to JM (JM timeout).	<ul style="list-style-type: none"> The calling terminal could not detect a JM due to noise, etc. A network that has narrow bandwidth cannot pass JM to the other end. Check the line connection and condition. Try receiving a call from another V.8/V.34 fax.
0-79	The called terminal detected CI while waiting for a V.21 signal.	Check for line noise or other line problems. If this error occurs, the called terminal falls back to T.30 mode.
0-80	The line was disconnected due to a timeout in V.34 phase 2 – line probing.	<ul style="list-style-type: none"> The guard timer expired while starting these phases. Serious noise, narrow bandwidth, or low signal level can cause these errors.
0-81	The line was disconnected due to a timeout in V.34 phase 3 – equalizer training.	<p>If these errors happen at the transmitting terminal:</p> <ul style="list-style-type: none"> Try making a call at a later time. Try using V.17 or a slower modem using dedicated tx parameters.
0-82	The line was disconnected due to a timeout in the V.34 phase 4 – control channel start-up.	<ul style="list-style-type: none"> Try increasing the tx level. Try adjusting the tx cable equalizer setting.
0-83	The line was disconnected due to a timeout in the V.34 control channel restart sequence.	<p>If these errors happen at the receiving terminal:</p> <ul style="list-style-type: none"> Try adjusting the rx cable equalizer setting. Try increasing the tx level. Try using V.17 or a slower modem if the same error is frequent when receiving from multiple senders.
0-84	The line was disconnected due to abnormal signaling in V.34 phase 4 – control channel start-up.	<ul style="list-style-type: none"> The signal did not stop within 10 s. Turn off the machine, then turn it back on. If the same error is frequent, replace the FCU.
0-85	The line was disconnected due to abnormal signaling in V.34 control channel restart.	<ul style="list-style-type: none"> The signal did not stop within 10 s. Turn off the machine, then turn it back on. If the same error is frequent, replace the FCU.
0-86	The line was disconnected because the other terminal requested a data rate using MPh that was not available in the currently selected symbol rate.	<ul style="list-style-type: none"> The other terminal was incompatible. Ask the other party to contact the manufacturer.
0-87	The control channel started after an unsuccessful primary channel.	<ul style="list-style-type: none"> The receiving terminal restarted the control channel because data reception in the primary channel was not successful. This does not result in an error communication.
0-88	The line was disconnected because PPR was transmitted/received 9 (default) times within the same ECM frame.	<ul style="list-style-type: none"> Try using a lower data rate at the start. Try adjusting the cable equalizer setting.

Code	Meaning	Suggested Cause/Action
2-11	Only one V.21 connection flag was received	<ul style="list-style-type: none"> • Replace the FCU.
2-12	Modem clock irregularity	<ul style="list-style-type: none"> • Replace the FCU.
2-13	Modem initialization error	<ul style="list-style-type: none"> • Turn off the machine, then turn it back on. • Update the modem ROM. • Replace the FCU.
2-23	JBIG compression or reconstruction error	<ul style="list-style-type: none"> • Turn off the machine, then turn it back on.
2-24	JBIG ASIC error	<ul style="list-style-type: none"> • Turn off the machine, then turn it back on.
2-25	JBIG data reconstruction error (BIH error)	<ul style="list-style-type: none"> • JBIG data error • Check the sender's JBIG function. • Update the MBU ROM.
2-26	JBIG data reconstruction error (Float marker error)	
2-27	JBIG data reconstruction error (End marker error)	
2-28	JBIG data reconstruction error (Timeout)	
2-29	JBIG trailing edge maker error	<ul style="list-style-type: none"> • FCU defective • Check the destination device.
2-50	The machine resets itself for a fatal FCU system error	<ul style="list-style-type: none"> • If this is frequent, update the ROM, or replace the FCU.
2-51	The machine resets itself because of a fatal communication error	<ul style="list-style-type: none"> • If this is frequent, update the ROM, or replace the FCU.
2-53	Snd msg() in the manual task is an error because the mailbox for the operation task is full.	<ul style="list-style-type: none"> • The user did the same operation many times, and this gave too much load to the machine.
4-01	Line current was cut	<ul style="list-style-type: none"> • Check the line connector. • Check the connection between FCU and NCU. • Check for line problems. • Replace the FCU or the NCU.
4-10	Communication failed because of an ID Code mismatch (Closed Network) or Tel. No./CSI mismatch (Protection against Wrong Connections)	<ul style="list-style-type: none"> • Get the ID Codes the same and/or the CSIs programmed correctly, then resend. • The machine at the other end may be defective.
5-10	DCR timer expired	<ul style="list-style-type: none"> • Replace the FCU.
5-20	Storage impossible because of a lack of memory	<ul style="list-style-type: none"> • Temporary memory shortage. • Test the SAF memory. • Replace the FCU or optional EXMEM board
5-21	Memory overflow	
5-23	Print data error when printing a substitute rx or confidential rx message	<ul style="list-style-type: none"> • Test the SAF memory. • Ask the other end to resend the message. • Replace the FCU or optional EXMEM board.
5-25	SAF file access error	<ul style="list-style-type: none"> • Replace the FCU or EXMEM board.
6-00	G3 ECM - T1 time out during reception of facsimile data	<ul style="list-style-type: none"> • Try adjusting the rx cable equalizer. • Replace the FCU or NCU.

Code	Meaning	Suggested Cause/Action
6-01	G3 ECM - no V.21 signal was received	<ul style="list-style-type: none"> • Try adjusting the rx cable equalizer. • Replace the FCU or NCU.
6-02	G3 ECM - EOR was received	
6-04	G3 ECM - RTC not detected	<ul style="list-style-type: none"> • Check the line connection. • Check connections from the NCU to the FCU. • Check for a bad line or defective remote terminal. • Replace the FCU or NCU.
6-05	G3 ECM - facsimile data frame not received within 18 s of CFR, but there was no line fail	<ul style="list-style-type: none"> • Check the line connection. • Check connections from the NCU to the FCU. • Check for a bad line or defective remote terminal. • Replace the FCU or NCU. • Try adjusting the rx cable equalizer <p>Cross reference</p> <ul style="list-style-type: none"> • Rx cable equalizer - G3 Switch 07 (PSTN)
6-06	G3 ECM - coding/decoding error	<ul style="list-style-type: none"> • Defective FCU. • The other terminal may be defective.
6-08	G3 ECM - PIP/PIN received in reply to PPS.NULL	<ul style="list-style-type: none"> • The other end pressed Stop during communication. • The other terminal may be defective.
6-09	G3 ECM - ERR received	<ul style="list-style-type: none"> • Check for a noisy line. • Adjust the tx levels of the communicating machines. • See code 6-05.
6-10	G3 ECM - error frames still received at the other end after all communication attempts at 2400 bps	<ul style="list-style-type: none"> • Check for line noise. • Adjust the tx level (use NCU parameter 01 or the dedicated tx parameter for that address). • Check the line connection. • Defective remote terminal.
6-21	V.21 flag detected during high speed modem communication	<ul style="list-style-type: none"> • The other terminal may be defective or incompatible.
6-22	The machine resets the sequence because of an abnormal handshake in the V.34 control channel	<ul style="list-style-type: none"> • Check for line noise. • If the same error occurs frequently, replace the FCU. • Defective remote terminal.
6-99	V.21 signal not stopped within 6 s	<ul style="list-style-type: none"> • Replace the FCU.
13-17	SIP user name registration error	<ul style="list-style-type: none"> • Double registration of the SIP user name. • Capacity for user-name registration in the SIP server is not sufficient.
13-18	SIP server access error	<ul style="list-style-type: none"> • Incorrect initial setting for the SIP server. • Defective SIP server.
14-00	SMTP Send Error	Error occurred during sending to the SMTP server. Occurs for any error other than 14-01 to 16. For example, the mail address of the system administrator is not registered.

Code	Meaning	Suggested Cause/Action
14-01	SMTP Connection Failed	Failed to connect to the SMTP server (timeout) because the server could not be found. <ul style="list-style-type: none"> • The IP address for the SMTP server is not stored in the machine. • The DNS IP address is not registered. • Network not operating correctly. • Defective PC that does file transfer
14-02	No Service by SMTP Service (421)	SMTP server operating incorrectly.
14-03	Access to SMTP Server Denied (450)	Failed to access the SMTP server because the access is denied. <ul style="list-style-type: none"> • SMTP server operating incorrectly • Defective PC that does file transfer
14-04	Access to SMTP Server Denied (550)	SMTP server operating incorrectly
14-05	SMTP Server HDD Full (452)	Failed to access the SMTP server because the HDD is full. <ul style="list-style-type: none"> • SMTP Server hard disk full. • Insufficient HDD space in the PC that does file transfer
14-06	User Not Found on SMTP Server (551)	The user does not exist locally.
14-07	Data Send to SMTP Server Failed (4XX)	Failed to access the SMTP server because the transmission fails. <ul style="list-style-type: none"> • SMTP server operating incorrectly • Defective PC that does file transfer
14-08	Data Send to SMTP Server Failed (5XX)	Failed to access the SMTP server because the transmission fails. <ul style="list-style-type: none"> • SMTP server operating incorrectly • Defective PC that does file transfer
14-09	Authorization Failed for Sending to SMTP Server	<ul style="list-style-type: none"> • POP-Before-SMTP or SMTP authorization failed. • Incorrect setting for file transfer
14-10	Addresses Exceeded	Number of broadcast addresses exceeded the limit for the SMTP server.
14-11	Buffer Full	The send buffer is full so the transmission could not be completed. Buffer is full due to using Scan-to-Email while the buffer is being used send mail at the same time.
14-12	Data Size Too Large	Transmission was cancelled because the detected size of the file was too large.
14-13	Send Cancelled	Processing is interrupted because the user pressed Stop.
14-30	MCS File Creation Failed	Failed to create the MCS file because: <ul style="list-style-type: none"> • The number of files created with other applications on the Document Server has exceeded the limit. • HDD is full or not operating correctly. • Software error.

Code	Meaning	Suggested Cause/Action
14-31	UFS File Creation Failed	UFS file could not be created: <ul style="list-style-type: none"> • Not enough space in UFS area to handle both Scan-to-Email and IFAX transmission. • HDD full or not operating correctly. • Software error.
14-32	Cancelled the Mail Due to Error Detected by NFAX	Error detected with NFAX and send was cancelled due to a software error.
14-33	No Mail Address For the Machine	Neither the mail address of the machine nor the mail address of the network administrator is registered.
14-50	Mail Job Task Error	Due to an FCU mail job task error, the send was cancelled: <ul style="list-style-type: none"> • Address book was being edited during creation of the notification mail. • Software error.
14-51	UCS Destination Download Error	Not even one return notification can be downloaded: <ul style="list-style-type: none"> • The address book was being edited. • The number for the specified destination does not exist (it was deleted or edited after the job was created).
14-60	Send Cancel Failed	The cancel operation by the user failed to cancel the send operation.
14-61	Notification Mail Send Failed for All Destinations	All addresses for return notification mail failed.
15-01	POP3/IMAP4 Server Not Registered	At startup, the system detected that the IP address of the POP3/IMAP4 server has not been registered in the machine.
15-02	POP3/IMAP4 Mail Account Information Not Registered	The POP3/IMAP4 mail account has not been registered.
15-03	Mail Address Not Registered	The mail address has not been registered.
15-10	DCS Mail Receive Error	Error other than 15-11 to 15-18.
15-11	Connection Error	The DNS or POP3/IMAP4 server could not be found: <ul style="list-style-type: none"> • The IP address for DNS or POP3/IMAP4 server is not stored in the machine. • The DNS IP address is not registered. • Network not operating correctly.
15-12	Authorization Error	POP3/IMAP4 send authorization failed: <ul style="list-style-type: none"> • Incorrect IFAX user name or password. • Access was attempted by another device, such as the PC. • POP3/IMAP4 settings incorrect.
15-13	Receive Buffer Full	Occurs only during manual reception. Transmission cannot be received due to insufficient buffer space. The buffer is being used for mail send or Scan-to-Email.
15-14	Mail Header Format Error	The mail header is not standard format. For example, the Date line description is incorrect.
15-15	Mail Divide Error	The e-mail is not in standard format. There is no boundary between parts of the e-mail, including the header.

Code	Meaning	Suggested Cause/Action
15-16	Mail Size Receive Error	The mail cannot be received because it is too large.
15-17	Receive Timeout	May occur during manual receiving only because the network is not operating correctly.
15-18	Incomplete Mail Received	Only one portion of the mail was received.
15-31	Final Destination for Transfer Request Reception Format Error	The format of the final destination for the transfer request was incorrect.
15-39	Send/Delivery Destination Error	The transmission cannot be delivered to the final destination: <ul style="list-style-type: none"> • Destination file format is incorrect. • Could not create the destination for the file transmission.
15-41	SMTP Receive Error	Reception rejected because the transaction exceeded the limit for the "Auth. E-mail RX" setting.
15-42	Off Ramp Gateway Error	The delivery destination address was specified with Off Ramp Gateway OFF.
15-43	Address Format Error	Format error in the address of the Off Ramp Gateway.
15-44	Addresses Over	The number of addresses for the Off Ramp Gateway exceeded the limit of 30.
15-61	Attachment File Format Error	The attached file is not TIFF format.
15-62	TIFF File Compatibility Error	Could not receive transmission due to: <p>Resolution error</p> <ul style="list-style-type: none"> • Image of resolution greater than 200 dpi without extended memory. • Resolution is not supported. <p>Page size error</p> <ul style="list-style-type: none"> • The page size was larger than A3. <p>Compression error</p> <ul style="list-style-type: none"> • File was compressed with other than MH, MR, or MMR.
15-63	TIFF Parameter Error	The TIFF file sent as the attachment could not be received because the TIFF header is incorrect: <ul style="list-style-type: none"> • The TIFF file attachment is a type not supported. • The TIFF file attachment is corrupted. • Software error.
15-64	TIFF Decompression Error	The file received as an attachment caused the TIFF decompression error: <ul style="list-style-type: none"> • The TIFF format of the attachment is corrupted. • Software error.
15-71	Not Binary Image Data	The file could not be received because the attachment was not binary image data.
15-73	MDN Status Error	Could not find the Disposition line in the header of the Return Receipt, or there is a problem with the firmware.
15-74	MDN Message ID Error	Could not find the Original Message ID line in the header of the Return Receipt, or there is a problem with the firmware.

Code	Meaning	Suggested Cause/Action
15-80	Mail Job Task Read Error	Could not receive the transmission because the destination buffer is full and the destination could not be created (this error may occur when receiving a transfer request or a request for notification of reception).
15-81	Repeated Destination Registration Error	Could not repeat receive the transmission because the destination buffer is full and the destination could not be created (this error may occur when receiving a transfer request or a request for notification of reception).
15-91	Send Registration Error	Could not receive the file for transfer to the final destination: <ul style="list-style-type: none"> • The format of the final destination or the transfer destination is incorrect. • Destinations are full so the final and transfer destinations could not be created.
15-92	Memory Overflow	Transmission could not be received because memory overflowed during the transaction.
15-93	Memory Access Error	Transaction could not complete due to a malfunction of SAF memory.
15-94	Incorrect ID Code	The machine rejected an incoming e-mail for transfer request, because the ID code in the incoming e-mail did not match the ID code registered in the machine.
15-95	Transfer Station Function	The machine rejected an incoming e-mail for transfer because the transfer function was unavailable.
22-00	Original length exceeded the maximum scan length	Divide the original into more than one page. Check the resolution used for scanning. Lower the scan resolution if possible. Add optional page memory.
22-01	Memory overflow while receiving	Wait for the files in the queue to be sent. Delete unnecessary files from memory. Transfer the substitute reception files to an another fax machine, if the machine's printer is busy or out of order. Add an optional SAF memory card or hard disk.
22-02	Tx or rx job stalled due to line disconnection at the other end	The job started normally but did not finish normally; data may or may not have been received fully. Restart the machine.
22-04	The machine cannot store received data in the SAF	<ul style="list-style-type: none"> • Update the ROM • Replace the FCU.
22-05	No G3 parameter confirmation answer	<ul style="list-style-type: none"> • Defective FCU board or firmware.
23-00	Data read timeout during construction	Restart the machine. Replace the FCU
25-00	The machine software resets itself after a fatal transmission error occurred	<ul style="list-style-type: none"> • Update the ROM • Replace the FCU.
F0-xx	V.34 modem error	Replace the FCU.

Code	Meaning	Suggested Cause/Action
F6-xx	SG3-V34 modem error	Update the SG3-V34 modem ROM. Replace the SG3-V34 board. <ul style="list-style-type: none">• Check for line noise or other line problems.• Try communicating another V.8/V.34 fax.

3.2 IP-FAX TROUBLESHOOTING PROCEDURES

Use the following procedures to determine whether the machine or another part of the network is causing the problem.

Communication Route	Item	Action	Remarks
General LAN	1. Connection with the LAN	<ul style="list-style-type: none"> • Check that the LAN cable is connected to the machine. • Check that the LEDs on the hub are lit. 	
	2. LAN activity	<ul style="list-style-type: none"> • Check that other devices connected to the LAN can communicate through the LAN. 	
Between IFAX and PC	1. Network settings on the PC	<ul style="list-style-type: none"> • Check the network settings on the PC. 	<ul style="list-style-type: none"> • Is the IP address registered in the TCP/IP properties in the network setup correct? Check the IP address with the administrator of the network.
	2. Check that PC can connect with the machine	<ul style="list-style-type: none"> • Use the “ping” command on the PC to contact the machine. 	<ul style="list-style-type: none"> • At the MS-DOS prompt, type ping then the IP address of the machine, then press Enter.
	3. LAN settings in the machine	<ul style="list-style-type: none"> • Check the LAN parameters • Check if there is an IP address conflict with other PCs. 	<ul style="list-style-type: none"> • Use the “Network” function in the User Tools. • If there is an IP address conflict, inform the administrator.
Between machine and e-mail server	1. LAN settings in the machine	<ul style="list-style-type: none"> • Check the LAN parameters • Check if there is an IP address conflict with other PCs. 	<ul style="list-style-type: none"> • Use the “Network” function in the User Tools. • If there is an IP address conflict, inform the administrator.

Communication Route	Item	Action	Remarks
Between machine and e-mail server	2. E-mail account on the server	<ul style="list-style-type: none"> • Make sure that the machine can log into the e-mail server. • Check that the account and password stored in the server are the same as in the machine. 	<ul style="list-style-type: none"> • Ask the administrator to check.
	3. E-mail server	<ul style="list-style-type: none"> • Make sure that the client devices which have an account in the server can send/receive e-mail. 	<ul style="list-style-type: none"> • Ask the administrator to check. • Send a test e-mail with the machine's own number as the destination. The machine receives the returned e-mail if the communication is performed successfully.
Between e-mail server and internet	1. E-mail account on the Server	<ul style="list-style-type: none"> • Make sure that the PC can log into the e-mail server. • Check that the account and password stored in the server are the same as in the machine. 	<ul style="list-style-type: none"> • Ask the administrator to check.
	2. E-mail server	<ul style="list-style-type: none"> • Make sure that the client devices which have an account in the server can send/receive e-mail. 	<ul style="list-style-type: none"> • Ask the administrator to check. • Send a test e-mail with the machine's own number as the destination. The machine receives the returned e-mail if the communication is performed successfully.
	3. Destination e-mail address	<p>Make sure that the e-mail address is actually used.</p> <p>Check that the e-mail address contains no incorrect characters such as spaces.</p>	

Communication Route	Item	Action	Remarks
Between e-mail server and internet	4. Router settings	Use the "ping" command to contact the router. Check that other devices connected to the router can sent data over the router.	<ul style="list-style-type: none"> • Ask the administrator of the server to check.
Between e-mail server and internet	1. Error message by e-mail from the network of the destination.	<ul style="list-style-type: none"> • Check whether e-mail can be sent to another address on the same network, using the application e-mail software. • Check the error e-mail message. 	<ul style="list-style-type: none"> • Inform the administrator of the LAN.

3.3 FAX SC CODES

3.3.1 OVERVIEW

When the FCU detects a Fax SC Code condition, it resets itself automatically (default setting). This initializes the FCU without erasing files in the SAF memory or resetting the switches.

For details on Fax SC Codes 1201, refer to the following sections.

If bit 7 of System Switch 1F is changed to “1”, when the FCU detects a Fax SC Code condition, it displays the code on the display and stops working until the fax unit is initialized using one of the following methods:

Hold down the “7” and “9” keys for more than
10 s.

Turn off the main power switch and turn it
back on.

3.3.2 SC1201


When the FCU detects an unrecoverable error in the SRAM, which requires a complete SRAM initialization, the fax unit displays this SC Code and stops. There is no way to recover from this error condition without a complete SRAM initialization (all the user and service programmed data will be erased).

The possible causes are:

- SRAM backup battery defect, or SW1 on the MBU is at the “OFF” position.
- The SRAM on the MBU has a physical defect.
- SD card connection was loose.

3.3.3 FAX SC CODE TABLE


SC Code	Description	Suggested Action	Sys Switch 1F bit 7 = 0	Sys Switch 1F bit 7 = 1
1001	FCU error	Initialize the fax unit. (See section 2.3.1. for the initialization procedure)	Automatic reset	SC Code display
1201	Unrecoverable FCU - SRAM error	Refer to section 2.3.2.	"Service Call" display	
1299	Software error	Initialize the fax unit.	Automatic reset	
1305				
1310				
1311				
1312				
1401				
1405				


 Troubleshooting

4. SERVICE TABLES

CAUTION

Never turn off the main power switch when the power LED is lit or flashing. To avoid damaging the hard disk or memory, press the operation power switch to switch the power off, wait for the power LED to go off, and then switch the main power switch off.

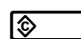


NOTE: The main power LED () lights or flashes while the platen cover or ARDF is open, while the main machine is communicating with a facsimile or the network server, or while the machine is accessing the hard disk or memory for reading or writing data.

4.1 SERVICE PROGRAM MODE

4.1.1 SERVICE PROGRAM MODE OPERATION

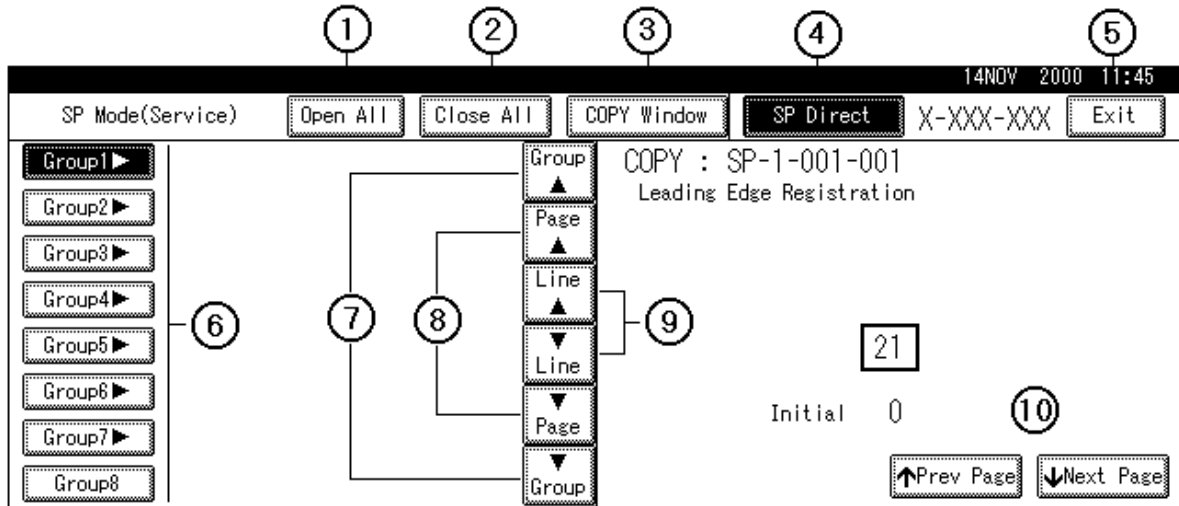
The service program (SP) mode is used to check electrical data, change modes, and adjust values.

Entering and Exiting SP Mode

1.  1. Press the Clear Mode key.
2.  2. Use the keypad to enter "107".
3.  3. Hold down Clear/Stop for at least 3 seconds.
4. **Fax SP** 4. On the touch-panel, press Fax SP.
5. **Exit** 5. Press Exit twice to return to the copy window.

SP Mode Button Summary

Here is a short summary of the touch-panel buttons.



B750S500.WMF

- ① Opens all SP groups and sublevels.
- ② Closes all open groups and sublevels and restores the initial SP mode display.
- ③ Not used for the Fax SP mode.
- ④ Enter the SP mode directly with the number keys if you know the SP number and then press $\#$. (SP Mode must be highlighted before you can enter the number. Just press SP Mode if it is not highlighted.)
- ⑤ Press twice to leave the SP mode return to the copy window to resume normal operation.
- ⑥ Press any Group number to open a list of SP modes and titles for that group. For example, to open the SP mode list for SP1-*nnn* , press Group1. If an SP has sublevels, click the appropriate button to expand the list.
- ⑦ Press to scroll the display to the previous or next group.
- ⑧ Press to scroll to the previous or next display in segments the size of the screen display (page).
- ⑨ Press to scroll the display to the previous or next line, line by line.
- ⑩ Press to move to the highlight to the previous or next selection in the list on the left.

Switching Between SP Mode and Copy Mode for Test Printing

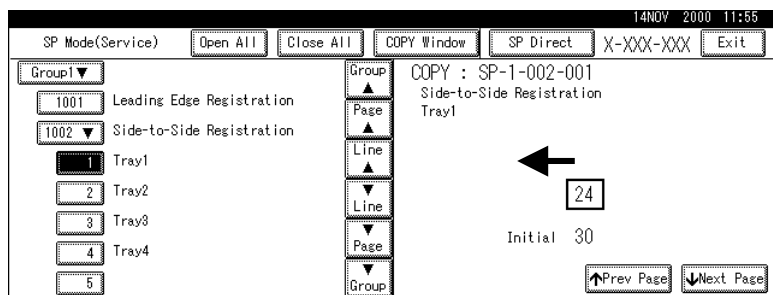
- 1) In the SP mode, select the test print and then press Copy Window.
- 2) Use the copy window (copier mode), to select the appropriate settings (paper size, etc.) for the test print.
- 3) Press Start (Ⓢ) to execute the test print.
- 4) Press SP Mode (highlighted) to return to the SP mode screen and repeat from step 1.

Selecting the Program Number

Program numbers have two or three levels.

1. Before you begin, refer to the Service Tables to find the SP that you want to adjust. (☛ 4.1.2)
2. Click the Group number on the left side SP Mode window that contains the SP that you want to adjust.
3. Use the scrolling buttons in the center of the SP mode window to display the SP number that you want to open, and then press that number to expand the list.
4. Use the center touch-panel buttons to scroll to the number and title of the item that you want to set and press. The small entry box on the right is activated and displays the default or the current setting below.

Service
Tables



B712S501.WMF

NOTE: Refer to the Service Tables for the range of allowed settings. (☛ 4.1.2)

1. To enter a setting
 - Press (+/-) to toggle between plus and minus and then use the keypad to enter the appropriate number. The number you enter write over the previous setting.
 - Press (#) to enter the setting. (If you enter a number that is out of range, the key press is ignored.)
 - When you are prompted to complete the selection, press Yes.
2. When you are finished, press Exit twice to return to the copy window.

4.1.2 SERVICE PROGRAM MODE TABLES

SP1-XXX (Bit Switches) ➤ Section 3.2 Bit Switches

1	Mode No.		Function
101	System Switch		Change the bit switches for system settings for the fax option ➤ Section 4.2 Bit Switches
	001 – 032	00 – 1F	
102	Ifax Switch		Change the bit switches for internet fax settings for the fax option ➤ Section 4.2 Bit Switches
	001 – 016	00 – 0F	
103	Printer Switch		Change the bit switches for printer settings for the fax option ➤ Section 4.2 Bit Switches
	001 – 016	00 – 0F	
104	Communication Switch		Change the bit switches for communication settings for the fax option ➤ Section 4.2 Bit Switches
	001 – 032	00 – 1F	
105	G3-1 Switch		Change the bit switches for the protocol settings of the standard G3 board ➤ Section 4.2 Bit Switches
	001 – 016	00 – 0F	
106	G3-2 Switch		Change the bit switches for the protocol settings of the optional G3 board ➤ Section 4.2 Bit Switches
	001 – 016	00 – 0F	
107	G3-3 Switch		Change the bit switches for the protocol settings of the optional G3 board ➤ Section 4.2 Bit Switches
	001 – 016	00 – 0F	
108	G4 Internal Switch		Not used (Do not change the bit switches)
	001 – 032	00 – 1F	
109	G4 Parameter Switch		Not used (Do not change the bit switches)
	001 – 016	00 – 0F	
111	IP fax Switch		Change the bit switches for optional IP fax parameters ➤ Section 4.2 Bit Switches
	001 – 016	00 – 0F	

SP2-XXX (RAM Data)

2	Mode No.		Function
101	RAM Read/Write		Change RAM data for the fax board directly. ➤ Section 4.5 Service RAM Addresses
	001		
102	Memory Dump		Print out RAM data for the fax board. ➤ Section 4.5 Service RAM Addresses
	001	G3-1 Memory Dump	

2	Mode No.		Function
102	002	G3-2 Memory Dump	Print out RAM data for the optional SG3 board.
	003	G3-3 Memory Dump	Print out RAM data for the optional SG3 board.
	004	G4 Memory Dump	Print out RAM data for the SiG4 board.
103	G3-1 NCU Parameters		
	001 – 023	CC, 01 – 22	NCU parameter settings for the standard G3 board. ➤ Section 4.3 NCU Parameters
104	G3-2 NCU Parameters		
	001 – 023	CC, 01 – 22	NCU parameter settings for the optional G3 board. ➤ Section 4.3 NCU Parameters
105	G3-3 NCU Parameters		
	001 – 023	CC, 01 – 22	NCU parameter settings for the optional G3 board. ➤ Section 4.3 NCU Parameters

SP3-XXX (Tel Line Settings)

3	Mode No.		Function
101	Service Station		
	001	Fax Number	Enter the fax number of the service station.
	002	Select Line	Select the line type.
102	Serial Number		
	000		Enter the fax unit's serial number.
103	PSTN-1 Port Settings		
	001	Select Line	Select the line type setting for the G3-1 line. If the machine is installed on a PABX line, select "PABX", "PABX(GND)" or "PABX(FLASH)".
	002	PSTN Access Number	Enter the PSTN access number for the G3-1 line.
	003	Memory Lock Disabled	If the customer does not want to receive transmissions using Memory Lock on this line, turn this SP on.
104	PSTN-2 Port Settings		
	001	Select Line	Select the line setting for the G3-2 line. If the machine is installed on a PABX line, select "PABX", "PABX(GND)" or "PABX(FLASH)".
	002	PSTN Access Number	Enter the PSTN access number for the G3-2 line.
	003	Memory Lock Disabled	If the customer does not want to receive transmissions using Memory Lock on this line, change this SP to on.
	004	Transmission Disabled	If you turn this SP on, the machine does not send any fax messages on the G3-2 line.

3	Mode No.		Function
105	PSTN-3 Port Settings		
	001	Select Line	Select the line setting for the G3-3 line. If the machine is installed on a PABX line, select "PABX", "PABX(GND)" or "PABX(FLASH)".
	002	PSTN Access Number	Enter the PSTN access number for the G3-3 line.
	003	Memory Lock Disabled	If the customer does not want to receive transmissions using Memory Lock on this line, change this SP to on.
	004	Transmission Disabled	If you turn this SP on, the machine does not send any fax messages on the G3-3 line.
106	ISDN Port Settings		
	001	Select Line	Not used (Do not change the bit switches)
	002	PSTN Access Number	
	003	Memory Lock Disabled	
	004	Transmission Disabled	
004	Transmission Disabled		
107	IPFAX Port Settings		
	001	H323 Port	
	002	SIP Port	
	003	RAS Port	
	004	Gatekeeper port	
	005	T.38 Port	
	006	SIP Server Port	
	007	IPFAX Protocol Priority	Select "H323" or "SAP".
201	FAX SW		
	001 – 032	00 – 1F	

SP4-XXX (ROM Versions)

4	Mode No.		Function
101	001	FCU ROM Version	Displays the FCU ROM version.
102	001	Error Codes	Displays the latest 64 fax error codes.
103	001	G3-1 ROM Version	Displays the G3-1 modem version.
104	001	G3-2 ROM Version	Displays the G3-2 modem version.
105	001	G3-3 ROM Version	Displays the G3-3 modem version.
106	001	G4 ROM Version	Not used (Do not change the bit switches)
107	001	Charge ROM Version	Not used (Do not change the bit switches)

SP5-XXX (Initializing)

5	Mode No.	Function
101	Initialize SRAM	
	000	Initializes the bit switches and user parameters, user data in the SRAM, files in the SAF memory, and clock.
102	Erase All Files	
	000	Erases all files stored in the SAF memory.
103	Reset Bit Switches	
	000	Resets the bit switches and user parameters.
104	Factory setting	
	000	Resets the bit switches and user parameters, user data in the SRAM and files in the SAF memory.

SP6-XXX (Reports)

6	Mode No.	Function	
101	System Parameter List		
	000	Touch the "ON" button to print the system parameter list.	
102	Service Monitor Report		
	000	Touch the "ON" button to print the service monitor report.	
103	G3 Protocol Dump List		
	001	G3 All Communications	Prints the protocol dump list of all communications for all G3 lines.
103	002	G3-1 (All Communications)	Prints the protocol dump list of all communications for the G3-1 line.
	003	G3-1 (1 Communication)	Prints the protocol dump list of the last communication for the G3-1 line.
	004	G3-2 (All Communications)	Prints the protocol dump list of all communications for the G3-2 line.
	005	G3-2 (1 Communication)	Prints the protocol dump list of the last communication for the G3-2 line.
	006	G3-3 (All Communications)	Prints the protocol dump list of all communications for the G3-3 line.
	007	G3-3 (1 Communication)	Prints the protocol dump list of the last communication for the G3-3 line.
	104	G4 Protocol Dump List	
001		Dch + Bch 1	Not used (Do not change the bit switches)
002		Dch	
003		Bch 1 Link Layer	
004		Dch Link Layer	
005		Dch +Bch 2	
006	Bch 2 Link Layer		

6	Mode No.		Function
105	All Files print out		Prints out all the user files in the SAF memory, including confidential messages. NOTE: Do not use this function, unless the customer is having trouble printing confidential messages or recovering files stored using the memory lock feature.
	000		
106	Journal Print out		The machine prints all the communication records on the report. The machine prints all communication records after the specified date.
	001	All Journals	
	002	Specified Date	
107	Log List Print out		These log print out functions are for designer use only.
	001	All log files	
	002	Printer	
	003	SC/TRAP Stored	
	004	Decompression	
	005	Scanner	
	006	JOB/SAF	
	007	Reconstruction	
	008	JBIG	
	009	Fax Driver	
	010	G3CCU	
	011	Fax Job	
	012	CCU	
	013	Scanner Condition	
108	IP Protocol Dump List		Prints the protocol dump list of all communications for the IP fax line. Prints the protocol dump list of the last communication for the IP fax line.
	001	All Communications	
	002	1 Communication	

SP7-XXX (Test Modes)

These are the test modes for PTT approval.

7	Function
101	G3-1 Modem Tests
102	G3-1 DTMF Tests
103	Ringer Test
104	G3-1 V34 (S2400baud)
105	G3-1 V34 (S2800baud)
106	G3-1 V34 (S3000baud)
107	G3-1 V34 (S3200baud)
108	G3-1 V34 (S3429baud)
109	Recorded Message Test
110	G3-2 Modem Tests
111	G3-2 DTMF Tests
112	G3-2 V34 (S2400baud)
113	G3-2 V34 (S2800baud)
114	G3-2 V34 (S3000baud)
115	G3-2 V34 (S3200baud)
116	G3-2 V34 (S3429baud)
117	G3-3 Modem Tests
118	G3-3 DTMF Tests
119	G3-3 V34 (S2400baud)
120	G3-3 V34 (S2800baud)
121	G3-3 V34 (S3000baud)
122	G3-3 V34 (S3200baud)
123	G3-3 V34 (S3429baud)
124	IG3-1 Modem Tests - Not used
125	IG3-1 DTMF Tests - Not used
126	IG3-1 V34 (S2400baud) - Not used
127	IG3-1 V34 (S2800baud) - Not used
128	IG3-1 V34 (S3000baud) - Not used
129	IG3-1 V34 (S3200baud) - Not used
130	IG3-1 V34 (S3429baud) - Not used
131	IG3-2 Modem Tests - Not used
132	IG3-2 DTMF Tests - Not used
133	IG3-2 V34 (S2400baud) - Not used
134	IG3-2 V34 (S2800baud) - Not used
135	IG3-2 V34 (S3000baud) - Not used
136	IG3-2 V34 (S3200baud) - Not used
137	IG3-2 V34 (S3429baud) - Not used

Service
Tables

SP9-XXX (Design Switch Mode)

9	Mode No.	Function
702	Design Switch DFU	

4.2 BIT SWITCHES

⚠ WARNING

Do not adjust a bit switch or use a setting that is described as “Not used”, as this may cause the machine to malfunction or to operate in a manner that is not accepted by local regulations. Such bits are for use only in other areas, such as Japan.

NOTE: Default settings for bit switches are not listed in this manual. Refer to the System Parameter List printed by the machine.

4.2.1 SYSTEM SWITCHES

System Switch 00		SP No. 1-101-001
No	FUNCTION	COMMENTS
0	Dedicated transmission parameter programming 0: Disabled 1: Enabled	Set this bit to 1 before changing any dedicated transmission parameters. Reset this bit to 0 after programming dedicated transmission parameters.
1	Confidential RX message print out without the password. 0: Disabled 1: Enabled	1: Confidential RX messages can be printed out without the password. Use this bit if the customer forgot the password for the confidential messages. Reset this bit to 0 after printing confidential RX messages.
2	Technical data printout on the Journal 0: Disabled 1: Enabled	1: Instead of the personal name, the following data are listed on the Journal for each G3 communication.
<p>e.g. 0000 32V34 288/264 L0100 03 04 (1) (2)(3) (4) (5) (6) (7) (8)</p> <p>(1): EQM value (Line quality data). A larger number means more errors. (2): Symbol rate (V.34 only) (3): Final modem type used (4): Starting data rate (for example, 288 means 28.8 kbps) (5): Final data rate (6): Rx revel (refer to the note after this table for how to read the rx level) (7): Total number of error lines that occurred during non-ECM reception. (8): Total number of burst error lines that occurred during non-ECM reception.</p> <p>Note: EQM and rx level are fixed at “FFFF” in tx mode. The seventh and eighth numbers are fixed at “00” for transmission records and ECM reception records.</p>		

System Switch 00		SP No. 1-101-001
No	FUNCTION	COMMENTS
2	<p>Rx level calculation</p> <p>Example: 0000 32 V34 288/264 L <u>01 00</u> 03 04</p> <p>The four-digit hexadecimal value (N) after "L" indicates the rx level. The <u>high</u> byte is given first, followed by the <u>low</u> byte. Divide the decimal value of N by -16 to get the rx level.</p> <p>In the above example, the decimal value of N (= 0100 [H]) is 256. So, the actual rx level is 256/-16 = -16 dB</p>	
3	Not used	Do not change this setting.
4	Line error mark print 0: OFF, 1: ON (print)	When "1" is selected, a line error mark is printed on the printout if a line error occurs during reception.
5	G3/G4 communication parameter display 0: Disabled 1: Enabled	This is a fault-finding aid. The LCD shows the key parameters (see below). This is normally disabled because it cancels the CSI display for the user. Be sure to reset this bit to 0 after testing.
6	Protocol dump list output after each communication 0: Off 1: On	This is only used for communication troubleshooting. It shows the content of the transmitted facsimile protocol signals. Always reset this bit to 0 after finishing testing. If system switch 09 bit 6 is at "1", the list is only printed if there was an error during the communication.
7	Not used	Do not change the setting.

G3 Communication Parameters

Modem rate	336: 33600 bps 168: 16800 bps 312: 31200 bps 144: 14400 bps 288: 28800 bps 120: 12000 bps 264: 26400 bps 96: 9600 bps 240: 24000 bps 72: 7200 bps 216: 21600 bps 48: 4800 bps 192: 19200 bps 24: 2400 bps
Resolution	S: Standard (8 x 3.85 dots/mm) D: Detail (8 x 7.7 dots/mm) F: Fine (8 x 15.4 dots/mm) SF: Superfine (16 x 15.4 dots/mm) 21: Standard (200 x 100 dpi) 22: Detail (200 x 200 dpi) 44: Superfine (400 x 400 dpi)
Compression mode	MMR: MMR compression MR: MR compression MH: MH compression JBO: JBIG compression (Optional mode) JBB: JBIG compression (Basic mode)
Communication mode	ECM: With ECM NML: With no ECM

Width and reduction	A4: A4 (8.3"), no reduction B4: B4 (10.1"), no reduction A3: A3 (11.7"), no reduction
I/O rate	0: 0 ms/line 10: 10 ms/line 25: 2.5 ms/line 20: 20 ms/line 5: 5 ms/line 40: 40 ms/line Note: "40" is displayed while receiving a fax message using AI short protocol.

System Switch 01 - Not used (Do not change the factory settings.)

System Switch 02		SP No. 1-101-003
No	FUNCTION	COMMENTS
0-3	Not used	Do not change these settings.
4	File retention time 0: Depends on User Parameter 24 [18(H)] 1: No limit	1: A file that had a communication error will not be erased unless the communication is successful.
5	Not used	Do not change this setting.
6-7	Memory read/write by RDS Bit 7 6 Setting 0 0 Always disabled 0 1 User selectable 1 0 User selectable 1 1 Always enabled	(0,0): All RDS systems are always locked out. (0,1), (1,0): Normally, RDS systems are locked out, but the user can temporarily switch RDS on to allow RDS operations to take place. RDS will automatically be locked out again after a certain time, which is stored in System Switch 03. Note that if an RDS operation takes place, RDS will not switch off until this time limit has expired. (1,1): At any time, an RDS system can access the machine.

System Switch 03		SP No. 1-101-004
No	FUNCTION	COMMENTS
0 to 7	Length of time that RDS is temporarily switched on when bits 6 and 7 of System Switch 02 are set to "User selectable"	00 - 99 hours (BCD). This setting is only valid if bits 6 and 7 of System Switch 02 are set to "User selectable". The default setting is 24 hours.

System Switch 04		SP No. 1-101-005
No	FUNCTION	COMMENTS
0-2	Not used	Do not change these settings.
3	Printing dedicated tx parameters on Quick/Speed Dial Lists 0: Disabled 1: Enabled	1: Each Quick/Speed dial number on the list is printed with the dedicated tx parameters (10 bytes each). The first 10 bytes of data are the programmed dedicated tx parameters; 34 bytes of data are printed (the other 24 bytes have no use for service technicians).

System Switch 04		SP No. 1-101-005
No	FUNCTION	COMMENTS
4-7	Not used	Do not change these settings.

System Switch 05 - Not used (Do not change the factory settings.)

System Switch 06		SP No. 1-101-007
No	FUNCTION	COMMENTS
0 to 7	Margin setting for Create Margin Transmission	71 to 99 (BCD) %. This setting determines the reduction ratio when the user uses the Create Margin Transmission feature. Default setting:1001 0011 (93%)

System Switch 07 - Not used (Do not change the factory settings.)

System Switch 08 - Not used (Do not change the factory settings.)

System Switch 09		SP No. 1-101-010
No	FUNCTION	COMMENTS
0	Addition of image data from confidential transmissions on the transmission result report 0: Disabled 1: Enabled	If this feature is enabled, the top half of the first page of confidential messages will be printed on transmission result reports.
1	Inclusion of communications on the Journal when no image data was exchanged. 0: Disabled 1: Enabled	0: Communications that reached phase C (message tx/rx) of the T.30 protocol are listed on the Journal. 1: Communications that reached phase A (call setup) of T.30 protocol are listed on the Journal. This will include telephone calls.
2	Automatic error report printout 0: Disabled 1: Enabled	0: Error reports will not be printed. 1: Error reports will be printed automatically after failed communications.
3	Printing of the error code on the error report 0: No 1: Yes	1: Error codes are printed on the error reports.
4	Not used	Do not change this setting.
5	Power failure report 0: Disabled 1: Enabled	1: A power failure report will be automatically printed after the power is switched on if a fax message disappeared from the memory when the power was turned off last.
6	Conditions for printing the protocol dump list 0: Print for all communications 1: Print only when there is a communication error	This switch becomes effective only when system switch 00 bit 6 is set to 1. 1: Set this bit to 1 when you wish to print a protocol dump list only for communications with errors.

System Switch 09		SP No. 1-101-010
No	FUNCTION	COMMENTS
7	Priority given to various types of remote terminal ID when printing reports 0: RTI > CSI > Dial label > Tel. number 1: Dial label > Tel. number > RTI > CSI	This bit determines which set of priorities the machine uses when listing remote terminal names on reports. Dial Label: The name stored, by the user, for the Quick/Speed Dial number.

System Switch 0A		SP No. 1-101-011
No	FUNCTION	COMMENTS
0	Automatic port selection 0: Disabled, 1: Enabled	When "1" is selected, a suitable port is automatically selected if the selected port is not used.
1-2	Not used	Do not change these settings.
3	Continuous polling reception 0: Disabled 1: Enabled	This feature allows a series of stations to be polled in a continuous cycle. This will continue until the polling reception file is erased. The dialing interval is the same as memory transmission.
4	Dialing on the ten-key pad when the external telephone is off-hook 0: Disabled 1: Enabled	0: Prevents dialing from the ten-key pad while the external telephone is off-hook. Use this setting when the external telephone is not by the machine, or if a wireless telephone is connected as an external telephone. 1: The user can dial on the machine's ten-key pad when the handset is off-hook.
5	On hook dial 0: Disabled 1: Enabled	0: On hook dial is disabled.
6-7	Not used	Do not change the factory settings

System Switch 0B - Not used (Do not change the factory settings.)
System Switch 0C - Not used (Do not change the factory settings.)
System Switch 0D - Not used (Do not change the factory settings.)

System Switch 0E		SP No. 1-101-015
No	FUNCTION	COMMENTS
0-2	Not used	Do not change the settings.
3	Action when the external handset goes off-hook 0: Manual tx and rx operation 1: Memory tx and rx operation (the display remains the same)	0: Manual tx and rx are possible while the external handset is off-hook. However, memory tx is not possible. 1: The display stays in standby mode even when the external handset is used, so that other people can use the machine for memory tx operation. Note that manual tx and rx are not possible with this setting.
4-7	Not used	Do not change these settings.

System Switch 0F		SP No. 1-101-016
No	FUNCTION	COMMENTS
0 to 7	Country/area code for functional settings (Hex) 00: France 11: USA 01: Germany 12: Asia 02: UK 13: Japan 03: Italy 14: Hong Kong 04: Austria 15: South Africa 05: Belgium 16: Australia 06: Denmark 17: New Zealand 07: Finland 18: Singapore 08: Ireland 19: Malaysia 09: Norway 1A: China 0A: Sweden 1B: Taiwan 0B: Switz. 1C: Korea 0C: Portugal 20: Turkey 0D: Holland 21: Greece 0E: Spain 22: Hungary 0F: Israel 23: Czech 10: Canada 24: Poland	This country/area code determines the factory settings of bit switches and RAM addresses. However, it has no effect on the NCU parameter settings and communication parameter RAM addresses. Cross reference NCU country code: SP No. 2-103-001 for G3-1 SP No. 2-104-001 for G3-2 SP No. 2-105-001 for G3-3

System Switch 10		SP No. 1-101-017
No	FUNCTION	COMMENTS
0 to 7	Threshold memory level for parallel memory transmission	Threshold = N x 128 KB + 256 KB N can be between 00 - FF(H) Default setting: 02(H) = 512 KB

System Switch 11		SP No. 1-101-018
No	FUNCTION	COMMENTS
0	TTI printing position 0 : Superimposed on the page data 1 : Printed before the data leading edge	Change this bit to 1 if the TTI overprints information that the customer considers to be important (G3 transmissions).
1	TSI (G3) printing position 0 : Superimposed on the page data 1 : Printed before the data leading edge	Change this bit to 1 if the TSI (G3) overprints information that the customer considers to be important.
2	Not used	Do not change the factory settings.
3	TTI used for broadcasting 0 : The TTIs selected for each Quick/Speed dial are used 1 : The same TTI is used for all destinations	1 : The TTI (TTI_1 or TTI_2) which is selected for all destinations during broadcasting.

System Switch 11		SP No. 1-101-018
No	FUNCTION	COMMENTS
4	Type of TTI used for transmission using the ten-key pad 0: TTI_1 1: TTI_2	1: The machine uses TTI_2 when the user dials the destination using the ten-key pad. It is also used for polling transmission and manual transmission using the handset.
5-7	Not used	Do not change the factory settings.

System Switch 12		SP No. 1-101-019
No	FUNCTION	COMMENTS
0 to 7	TTI printing position in the main scan direction	TTI: 08 to 92 (BCD) mm Input even numbers only. This setting determines the print start position for the TTI from the left edge of the paper. If the TTI is moved too far to the right, it may overwrite the file number which is on the top right of the page. On an A4 page, if the TTI is moved over by more than 50 mm, it may overwrite the page number.

System Switch 13 - Not used (do not change these settings)
System Switch 14 - Not used (do not change these settings)

System Switch 15		SP No. 1-101-022
No	FUNCTION	COMMENTS
0	Not used	Do not change the settings.
1	Going into the Energy Saver mode automatically 0: Enabled 1: Disabled	1: The machine will restart from the Energy Saver mode quickly, because the +5V power supply is active even in the Energy Saver mode.
2-3	Not used	Do not change these settings.
4-5	Interval for preventing the machine from entering Energy Saver mode if there is a pending transmission file. Bit 5 4 Setting 0 0 1 min 0 1 30 min 1 0 1 hour 1 1 24 hours	If there is a file waiting for transmission, the machine does not go to Energy Saver mode during the selected period. After transmitting the file, if there is no file waiting for transmission, the machine goes to the Energy Saver mode.
6	Print user codes on reports. 0: Disabled 1: Enabled	1: User codes are printed out on the Journal or other reports.
7	Not used	Do not change this setting.

System Switch 16		SP No. 1-101-023
No	FUNCTION	COMMENTS
0	Parallel Broadcasting 0: Disabled 1: Enabled	1: The machine sends messages simultaneously using all available ports during broadcasting.
1	Priority setting for the G3 line. 0: PSTN-1 > PSTN-2 or 3 1: PSTN-2 or 3 > PSTN-1	This function allows the user to select the default G3 line type. The optional SG3 unit(s) are required to use the PSTN-2 or 3 setting.
2-7	Not used	Do not change these settings.

System Switch 17 - Not used (do not change these settings)

System Switch 18 - Not used (do not change these settings)

System Switch 19		SP No. 1-101-026
No	FUNCTION	COMMENTS
0-5	Not used	Do not change the settings.
6	Extended scanner page memory after memory option is installed 0: Disabled 1: Enabled	0: After installing the memory expansion option, the scanner page memory is extended to 4 MB from 2 MB. 1: If this bit is set to 1 after installing the memory expansion option, the scanner page memory is extended to 12 MB. But the SAF memory decreases to 18 MB.
7	Special Original mode 0: Disabled 1: Enabled	1: If the customer frequently wishes to transmit a form or letterhead which has a colored or printed background, change this bit to "1". "Original 1" and "Original 2" can be selected in addition to the "Text", "Text/Photo" and "Photo" modes.

System Switch 1A - Not used (do not change these settings)

System Switch 1B - Not used (do not change these settings)

System Switch 1C - Not used (do not change these settings)

System Switch 1D		SP No. 1-101-030
No	FUNCTION	COMMENTS
0	RTI/CSI/CPS display 0: Disabled 1: Enabled	1: RTI/CSI/CPS is displayed on the top line of the LCD panel during communication.
1	Not used	Do not change this setting.
2	Destination telephone number display limitation 0: OFF, 1: ON	When "1" is selected, the destination telephone number display is limited and redial is disabled.
3-7	Not used	Do not change these settings.

System Switch 1E		SP No. 1-101-031
No	FUNCTION	COMMENTS
0	Communication after the Journal data storage area has become full 0: Impossible 1: Possible	This setting is effective only when Automatic Journal printout is enabled but the machine cannot print the report (e.g., no paper). 0: If the buffer memory of the communication records for the Journal has become full, fax communications will become impossible, to prevent overwriting the communication records before the machine prints them out. 1: If the buffer memory of the communication records for the Journal is full, fax communications are still possible. But the machine will overwrite the oldest communication records. Cross Reference <input type="checkbox"/> Automatic Journal output - User switch 03 bit 7 <input type="checkbox"/> Number of communication records for the Journal: 200 records (standard) 1000 records (with the Function Upgrade unit installed)
1	Action when the SAF memory has become full during scanning 0: The current page is erased. 1: The entire file is erased.	0: If the SAF memory becomes full during scanning, the successfully scanned pages are transmitted. 1: If the SAF memory becomes full during scanning, the file is erased and no pages are transmitted. This bit switch is ignored for parallel memory transmission.
2	RTI/CSI display priority 0: RTI 1: CSI	This bit determines which identifier, RTI or CSI, is displayed on the LCD while the machine is communicating in G3 non-standard mode.
3	File No. printing 0: Enabled 1: Disabled	1: File numbers are not printed on any reports.
4	Action when authorized reception is enabled but authorized RTIs/CSIs are not yet programmed 0: All fax reception is disabled 1: Faxes can be received if the sender has an RTI or CSI	If authorized reception is enabled but the user has stored no acceptable sender RTIs or CSIs, the machine will not be able to receive any fax messages. If the customer wishes to receive messages from any sender that includes an RTI or CSI, and to block messages from senders that do not include an RTI or CSI, change this bit to "1", then enable Authorized Reception. Otherwise, keep this bit at "0 (default setting)".
5	Address display priority in the AI redial mode 0: RTI/CSI 1: Telephone number	0: When the machine has both RTI/CSI and the telephone number information, the machine displays RTI/CSI. 1: The machine always displays the telephone number.
6-7	Not used	Do not change the settings

System Switch 1F		SP No. 1-101-032
No	FUNCTION	COMMENTS
0	Not used	Do not change the settings.
1	Report printout after an original jam during SAF storage or if the SAF memory fills up 0: Enabled 1: Disabled	0: When an original jams, or the SAF memory overflows during scanning, a report will be printed. Change this bit to "1" if the customer does not want to have a report in these cases. Memory tx – Memory storage report Parallel memory tx – Transmission result report
2	Not used	Do not change the settings.
3	Received fax print start timing (G3 reception) 0: After receiving each page 1: After receiving all pages	0: The machine prints each page immediately after the machine receives it. 1: The machine prints the complete message after the machine receives all the pages in the memory.
4-6	Not used	Do not change the factory settings.
7	Action when a fax SC has occurred 0: Automatic reset 1: Fax unit stops	0: When the fax unit detects a fax SC code other than SC1201 and SC1207, the fax unit automatically resets itself. 1: When the fax unit detects any fax SC code, the fax unit stops. Cross Reference Fax SC codes - See "Troubleshooting"

4.2.2 I-FAX SWITCHES

I-fax Switch 00		SP No. 1-102-001
No	FUNCTION	COMMENTS
	Original Width of TX Attachment File	This setting sets the maximum size of the original that the destination can receive. (Bits 3~7 are reserved for future use or not used.)
0	A4	0: Off, 1: On NOTE: If more than one of these three bits is set to "1", the larger size has priority. For example, if both Bit 2 and Bit 1 are set to "1" then the maximum size is "A3" (Bit 2). When mail is sent, there is no negotiation with the receiving machine at the destination, so the sending machine cannot make a selection for the receiving capabilities (original width setting) of the receiving machine. The original width selected with this switch is used as the RX machine's original width setting, and the original is reduced to this size before sending. The default is A4. <i>If the width selected with this switch is higher than the receiving machine can accept, the machine detects this and this causes an error.</i>
1	B4	
2	A3	
3-6	Reserved	
7	Not used	

I-fax Switch 01		SP No. 1-102-002
No	FUNCTION	COMMENTS
	Original Line Resolution of TX Attachment File	This setting sets the maximum resolution of the original that the destination can receive.
0	200x100 Standard	
1	200x200 Detail	
2	200x400 Fine	
3	Reserved	
4	400 x 400 Super Fine	
5-6	Reserved	
0: Not selected, 1: Selected NOTE: If more than one of these three bits is set to "1", the higher resolution has priority. For example, if both Bit 3 and Bit 2 are set to "1" then the resolution is set for "Reserve (300 x 300)" (Bit 3).		

I-fax Switch 01		SP No. 1-102-002
7	mm/inch	
	<p>This setting selects mm/inch conversion for mail transmission. 0: Off (No conversion), 1: On (Conversion)</p> <p>When on (set to "1"), the machine converts millimeters to inches for sending mail. There is no switch for converting inches to millimeters.</p> <p>NOTE: Unlike G3 fax transmissions which can negotiate between sender and receiver to determine the setting, mail cannot negotiate between terminals; the mm/inch selection is determined by the sender fax.</p> <p>When this switch is Off (0):</p> <ul style="list-style-type: none"> • Images scanned in inches are sent in inches. • Images scanned in mm are sent in mm. • Images received in inches are transmitted in inches. • Images received in mm are transmitted in mm. <p>When this switch is On (1):</p> <ul style="list-style-type: none"> • Images scanned in inches are sent in inches. • <i>Images scanned in mm are converted to inches.</i> • <i>Images received in inches are transmitted in inches.</i> • <i>Images received in mm are converted to inches.</i> 	

I-fax Switch 02		SP No. 1-102-003
No	FUNCTION	COMMENTS
0	RX Text Mail Header Processing	
	<p>This setting determines whether the header information is printed with text e-mails when they are received. 0: Prints only text mail. 1: Prints mail header information attached to text mail.</p> <ul style="list-style-type: none"> • When a text mail is received with this switch On (1), the "From" address and "Subject" address are printed as header information. • When a mail with only binary data is received (a TIFF-F file, for example), this setting is ignored and no header is printed. 	
1	Output from Attached Document at E-mail TX Error	
	<p>This setting determines whether only the first page or all pages of an e-mail attachment are printed at the sending station when a transmission error occurs. This allows the customer to see which documents have not reached their intended destinations if sent to the wrong e-mail addresses, for example. 0: Prints 1st page only. 1: Prints all pages.</p>	

I-fax Switch 02		SP No. 1-102-003
No	FUNCTION	COMMENTS
2-3	Text String for Return Receipt	This setting determines the text string output for the Return Receipt that confirms the transmission was received normally at the destination.
		<p>00: "Dispatched" Sends from PC mail a request for a Return Receipt. Receives the Return Receipt with "dispatched" in the 2nd part: Disposition: Automatic-action/MDN-send automatically; <u>dispatched</u> The "dispatched" string is included in the Subject string.</p> <p>01: "Displayed" Sends from PC mail a request for a Return Receipt. Receives the Return Receipt with "displayed" in the 2nd part: Disposition: Automatic-action/MDN-send automatically; <u>displayed</u> The "displayed" string is included in the Subject string.</p> <p>10: Reserved 11: Reserved</p> <p>NOTE: A mail requesting a Return Receipt sent from an IFAX with this switch set to "00" (for "dispatched") received by Microsoft Outlook 2000 may cause an error. If any setting other than "displayed" (01) causes a problem, change the setting to "01" to enable normal sending of the Return Receipt.</p>
4	Media accept feature	This setting adds or does not add the media accept feature to the answer mail to confirm a reception.
		<p>0: Does not add the media accept feature to the answer mail 1: Adds the media accept feature to the answer mail. NOTE: Use this bit switch if a problem occurs when the machine receives an answer mail, which contains the media accept feature field.</p>
5-6	Not Used	
7	Image Resolution of RX Text Mail	This setting determines the image resolution of the received mail.
		<p>0: 200 x 200 1: 400 x 400 NOTE: The "1" setting requires installation of the Function Upgrade Card in order to have enough SAF (Store and Forward) memory to receive images at 400 x 400 resolution.</p>

I-fax Switch 03		SP No. 1-102-004
No	FUNCTION	COMMENTS
0	Original Output at Transfer Station	<p>This setting determines whether the original is output at the transfer station when it is received from the sender that initiated the transfer transmission. This feature is the same as for G3 transfer transmissions.</p> <p>0: Received original not output at the transfer station. 1: Received original output. The original is printed after the transfer station has transferred it to the destinations, so its output confirms that the original has been transferred.</p>
1	Transfer Result Report	<p>This setting determines when a Transfer Result Report is generated and returned to the transfer requestor.</p> <p>0: Returns the report after each transfer. 1: Returns the report only if an error occurred during transfer.</p>
2	Destination Error Handling for Reception Transfer Request	<p>This setting restricts transfer transmission based on whether the final destinations are correct or not.</p> <p>0: The transfer station transmits to correct destinations only (addresses with no errors in them). 1: If any address has an error in it, the transfer station transfers no transmissions and returns a transfer transmission failure report to the requestor that initiated the transfer.</p> <p>There is no negotiation between the transfer initiator and the transfer station to determine whether the final destination addresses are correct or not. This setting determines whether or not the transfer station transfers the transmissions if there is a mistake in even one of the final destination addresses.</p>
3	Polling ID Check for Reception of Transfer Request	<p>This setting determines whether the polling IDs of incoming transmissions are checked to ensure that the polling IDs match.</p> <p>0: Receives and transfers only messages that have matching polling IDs. 1: Receives and transfers all messages, even if the polling IDs do not match.</p>
4-7	Not Used	

I-fax Switch 04		SP No. 1-102-005
No	FUNCTION	COMMENTS
0	Subject for Delivery TX/Memory Transfer	<p>This setting determines whether the RTI/CSI registered on this machine or the RTI/CSI of the originator is used in the subject lines of transferred documents.</p> <p>0: Puts the RTI/CSI of the originator in the Subject line. If this is used, either the RTI or CSI is used. Only one of these can be received for use in the subject line.</p> <p>1: Puts the RTI/CSI registered on this machine in the Subject line.</p> <p>When this switch is used to transfer and deliver mail to a PC, the information in the Subject line that indicates where the transmission originated can be used to determine automatically the destination folder for each e-mail.</p>
1-7	Not Used	

I-fax Switch 05		SP No. 1-102-006
No	FUNCTION	COMMENTS
0	Mail Addresses of SMTP Broadcast Recipients	<p>Determines whether the e-mail addresses of the destinations that receive transmissions broadcasted using SMTP protocol are recorded in the Journal.</p> <p>For example: "1st destination + Total number of destinations: 9" in the Journal indicates a broadcast to 9 destinations.</p> <p>0: Not recorded 1: Recorded</p>
1-7	Not Used	

I-fax Switch 06 - Not used (do not change the settings)	SP No. 1-102-007
I-fax Switch 07 - Not used (do not change the settings)	SP No. 1-102-008

I-fax Switch 08		SP No. 1-102-009
No	FUNCTION	COMMENTS
0-7	Memory Threshold for POP Mail Reception	<p>This setting determines the amount of SAF (Store and Forward) memory. (SAF stores fax messages to send later for transmission to more than one location, and also holds incoming messages if they cannot be printed.) When the amount of SAF memory available falls below this setting, mail can no longer be received; received mail is then stored on the mail server.</p> <p>00-FF (0 to 1024 KB: HEX)</p> <p>NOTE: The hexadecimal number you enter is multiplied by 4 KB to determine the amount of memory.</p>

I-fax Switch 09		SP No. 1-102-010
No	FUNCTION	COMMENTS
0-3	Not used	Do not change the settings
4-7	Restrict TX Retries	This setting determines the number of retries when connection and transmission fails due to errors. 01-F (1-15 Hex)

I-fax Switch 0A - Not used (do not change the settings)	SP No. 1-102-011
I-fax Switch 0B - Not used (do not change the settings)	SP No. 1-102-012
I-fax Switch 0C - Not used (do not change the settings)	SP No. 1-102-013
I-fax Switch 0D - Not used (do not change the settings)	SP No. 1-102-014
I-fax Switch 0E - Not used (do not change the settings)	SP No. 1-102-015

I-fax Switch 0F		SP No. 1-102-016
No	FUNCTION	COMMENTS
0	Delivery Method for SMTP RX Files	This setting determines whether files received with SMTP protocol are delivered or output immediately. 0: Off. Files received via SMTP are output immediately without delivery. 1: On. Files received via SMTP are delivered immediately to their destinations.
1-7	Not used	

Service
Tables

4.2.3 PRINTER SWITCHES

Printer Switch 00		SP No. 1-103-001
No	FUNCTION	COMMENTS
0	Page separation mark 0: Disabled 1: Enabled	0: No marks are printed. 1: If a received page has to be printed out on two sheets, an asterisk inside square brackets is printed at the bottom right hand corner of the first sheet, and a "2" inside a small box is printed at the top right hand corner of the second sheet. This helps the user to identify pages that have been split.
1	Repetition of data when the received page is longer than the printer paper 0: Disabled 1: Enabled	0: The next page continues from where the previous page left off. 1: The final few mm of the previous page are repeated at the top of the next page. The amount of repeated data depends on printer switch 04, bits 5 and 6.
2	Prints the date and time on received fax messages 0: Disabled 1: Enabled	This switch is only effective when user parameter 02 - bit 2 (printing the received date and time on received fax messages) is enabled. 1: The machine prints the received and printed date and time at the bottom of each received page.
3-7	Not used	Do not change the settings.

Printer Switch 01		SP No. 1-103-002
No	FUNCTION	COMMENTS
0-2	Not used	Do not change the settings.
3-4	Maximum print width used in the setup protocol Bit 4 3 Setting 0 0 Not used 0 1 A3 1 0 B4 1 1 A4	These bits are only effective when bit 7 of printer switch 01 is "1".
5-6	Not used	Do not change the settings.
7	Received message width restriction in the protocol signal to the sender 0: Disabled 1: Enabled	0: The machine informs the transmitting machine of the print width depending on the paper size available from the paper feed stations. Refer to the table on the next page for how the machine chooses the paper width used in the setup protocol (NSF/DIS). 1: The machine informs the transmitting machine of the fixed paper width which is specified by bits 3 and 4 above.

Relationship between available paper sizes and printer width used in the setup protocol

Available Paper Size	Printer width used in the Protocol (NSF/DIS)
A4 or 8.5" x 11"	297 mm width
B5	256 mm width
A5 or 8.5" x 5.5"	216 mm width
No paper available (Paper end)	216 mm width

Printer Switch 02		SP No. 1-103-003
No	FUNCTION	COMMENTS
0	1st paper feed station usage for fax printing 0: Enabled 1: Disabled	<p>0: The paper feed station can be used to print fax messages and reports.</p> <p>1: The specified paper feed station will not be used for printing fax messages and reports.</p> <p>Note: Do not disable usage for a paper feed station which has been specified by User Parameter Switch 0F (15), or which is used for the Specified Cassette Selection feature.</p>
1	2nd paper feed station usage for fax printing 0: Enabled 1: Disabled	
2	3rd paper feed station usage for fax printing 0: Enabled 1: Disabled	
3	4th paper feed station usage for fax printing 0: Enabled 1: Disabled	
4	LCT usage for fax printing 0: Enabled 1: Disabled	
5-7	Not used	Do not change the settings.

Printer Switch 03		SP No. 1-103-004						
No	FUNCTION	COMMENTS						
0	Length reduction of received data 0: Disabled 1: Enabled	0: Incoming pages are printed without length reduction. (Page separation threshold: Printer Switch 03, bits 4 to 7) 1: Incoming page length is reduced when printing. (Maximum reducible length: Printer Switches 04, bits 0 to 4)						
1-3	Not used	Do not change the settings						
4 to 7	Page separation threshold (with reduction disabled with switch 03-0 above) If the incoming page is up to x mm longer than the length of copy paper, the excess portion will not be printed. If the incoming page is more than x mm longer than the length of copy paper, the excess portion will be printed on the next page. The value of x is determined by these four bits. Hex value of bits 4 to 7 x (mm) <table style="margin-left: 40px;"> <tr><td>0</td><td>0</td></tr> <tr><td>1</td><td>1</td></tr> </table> and so on until <table style="margin-left: 40px;"> <tr><td>F</td><td>15</td></tr> </table> Default setting: 6 mm Cross reference Length reduction On/Off: Printer Switch 03, Bit 0	0	0	1	1	F	15	
0	0							
1	1							
F	15							

Printer Switch 04		SP No. 1-103-005																																										
No	FUNCTION	COMMENTS																																										
0 to 4	Maximum reducible length when length reduction is enabled with switch 03-0 above. <Maximum reducible length> = <Paper length> + (N x 5mm) "N" is the decimal value of the binary setting of bits 0 to 4. <table style="margin-left: 20px;"> <tr><td>Bit 4</td><td>3</td><td>2</td><td>1</td><td>0</td><td>Setting</td></tr> <tr><td>0</td><td>0</td><td>0</td><td>0</td><td>0</td><td>0 mm</td></tr> <tr><td>0</td><td>0</td><td>0</td><td>0</td><td>1</td><td>5 mm</td></tr> <tr><td colspan="6"> </td></tr> <tr><td>0</td><td>0</td><td>1</td><td>0</td><td>0</td><td>20 mm (default setting)</td></tr> <tr><td colspan="6"> </td></tr> <tr><td>1</td><td>1</td><td>1</td><td>1</td><td>1</td><td>155 mm</td></tr> </table> For A5 sideways and B5 sideways paper <Maximum reducible length> = <Paper length> + 0.75 x (N x 5mm)	Bit 4	3	2	1	0	Setting	0	0	0	0	0	0 mm	0	0	0	0	1	5 mm							0	0	1	0	0	20 mm (default setting)							1	1	1	1	1	155 mm	
Bit 4	3	2	1	0	Setting																																							
0	0	0	0	0	0 mm																																							
0	0	0	0	1	5 mm																																							
0	0	1	0	0	20 mm (default setting)																																							
1	1	1	1	1	155 mm																																							
5 to 6	Length of the duplicated image on the next page, when page separation has taken place. $\begin{pmatrix} 0 \\ 0 \end{pmatrix} = 4 \text{ mm}$ $\begin{pmatrix} 1 \\ 0 \end{pmatrix} = 10 \text{ mm}$ $\begin{pmatrix} 0 \\ 1 \end{pmatrix} = 15 \text{ mm}$ $\begin{pmatrix} 1 \\ 1 \end{pmatrix} = \text{Not used}$																																											
7	Not used.	Do not change the setting.																																										

Printer Switch 05 - Not used (do not change the settings)
--

Printer Switch 06		SP No. 1-103-007
No	FUNCTION	COMMENTS
0	Printing while a paper cassette is pulled out, when the Just Size Printing feature is enabled. 0: Printing will not start 1: Printing will start if another cassette has a suitable size of paper, based on the paper size selection priority tables.	Cross reference Just size printing on/off – User switch 05, bit 5
1-7	Not used.	Do not change the settings.

Printer Switch 07		SP No. 1-103-008
No	FUNCTION	COMMENTS
0	Reduction for Journal printing 0: Off 1: On	1: The Journal is reduced to 91% to ensure that there is enough space in the left margin for punch holes or staples.
2-3	Not used.	Do not change the settings.
4	List of destinations in the Communication Failure Report for broadcasting 0: All destinations 1: Only destinations where communication failure occurred	1: Only destinations where communication failure occurred are printed on the Communication Failure Report.
5-7	Not used.	Do not change the settings.

Service
Tables

Printer Switch 08 - Not used (do not change the settings)
--

Printer Switch 09 - Not used (do not change the settings)
--

Printer Switch 0A - Not used (do not change the settings)
--

Printer Switch 0B - Not used (do not change the settings)
--

Printer Switch 0C - Not used (do not change the settings)
--

Printer Switch 0D - Not used (do not change the settings)
--

Printer Switch 0E		SP No. 1-103-015
No	FUNCTION	COMMENTS
0	Paper size selection priority 0: Width 1: Length	0: A paper size that has the same width as the received data is selected first. 1: A paper size which has enough length to print all the received lines without reduction is selected first.
1	Paper size selected for printing A4 width fax data 0: 8.5" x 11" size 1: A4 size	This switch determines which paper size is selected for printing A4 width fax data, when the machine has both A4 and 8.5" x 11" size paper.
2	Page separation 0: Enabled 1: Disabled	1: If all paper sizes in the machine require page separation to print a received fax message, the machine does not print the message (Substitute Reception is used). After a larger size of paper is set in a cassette, the machine automatically prints the fax message.
3 to 4	Printing the sample image on reports Bit 4 Bit 3 Setting 0 0 The upper half only 0 1 50% reduction in sub-scan only 1 0 Same size 1 1 Not used	"Same size" means the sample image is printed at 100%, even if page separation occurs. User Parameter Switch 19 (13H) bit 4 must be set to "0" to enable this switch. Refer to Detailed Section Descriptions for more on this feature.
5-6	Not used	Do not change the settings.
7	Equalizing the reduction ratio among separated pages (Page Separation) 0: Enabled 1: Disabled	0: When page separation has taken place, all the pages are reduced with the same reduction ratio. 1: Only the last page is reduced to fit the selected paper size when page separation has taken place. Other pages are printed without reduction.

Printer Switch 0F			SP No. 1-103-016
No	FUNCTION		COMMENTS
0 to 1	Smoothing feature Bit 1 Bit 0 Setting		(0, 0) (0, 1): Disable smoothing if the machine receives halftone images from other manufacturers fax machines frequently.
	0 0 Disabled		
	0 1 Disabled		
	1 0 Enabled		
	1 1 Not used		
2	Duplex printing 0: Disabled 1: Enabled		1: The machine always prints received fax messages in duplex printing mode:
3	Binding direction for Duplex printing 0: Left binding 1: Top binding		
4	Printing fax messages in user code mode 0: Enabled 1: Disabled		1: The machine holds the received fax messages until the machine exits the restricted access mode (user code or key counter). If the machine enters the restricted access mode again while printing fax messages, the machine stops printing the machine exits the mode again.
5-7	Not used		Do not change the settings.

4.2.4 COMMUNICATION SWITCHES

Communication Switch 00		SP No. 1-104-001
No	FUNCTION	COMMENTS
0 to 1	Compression modes available in receive mode Bit 1 0 Modes 0 0 MH only 0 1 MH/MR 1 0 MH/MR/MMR 1 1 MH/MR/MMR/ JBIG	These bits determine the compression capabilities to be declared in phase B (handshaking) of the T.30 protocol.
2 to 3	Compression modes available in transmit mode Bit 3 2 Modes 0 0 MH only 0 1 MH/MR 1 0 MH/MR/MMR 1 1 MH/MR/MMR/ JBIG	These bits determine the compression capabilities to be used in the transmission and to be declared in phase B (handshaking) of the T.30 protocol.
4	Not used	Do not change the settings.
5	JBIG compression method: Reception 0: Only basic supported 1: Basic and optional both supported	Change the setting when communication problems occur using JBIG compression.
6	JBIG compression method: Transmission 0: Basic mode priority 1: Optional mode priority	Change the setting when communication problems occur using JBIG compression.
7	Closed network (reception) 0: Disabled 1: Enabled	1: Reception will not go ahead if the ID code of the other terminal does not match the ID code of this terminal. This function is only available in NSF/NSS mode.

Communication Switch 01			SP No. 1-104-002
No	FUNCTION		COMMENTS
0	ECM 0: Off 1: On		If this bit is set to 0, ECM is switched off for all communications. In addition, V.8 protocol and JBIG compression are switched off automatically.
1	Not used		Do not change the setting.
2 to 3	Wrong connection prevention method Bit 3 Bit 2 Setting 0 0 None 0 1 8 digit CSI 1 0 4 digit CSI 1 1 CSI/RTI		(0,1) - The machine will disconnect the line without sending a fax message, if the last 8 digits of the received CSI do not match the last 8 digits of the dialed telephone number. This does not work when manually dialed. (1,0) - The same as above, except that only the last 4 digits are compared. (1,1) - The machine will disconnect the line without sending a fax message, if the other end does not identify itself with an RTI or CSI. (0,0) - Nothing is checked; transmission will always go ahead. Note: This function does not work when dialing is done from the external telephone.
4-5	Not used		Do not change the setting.
6 to 7	Maximum printable page length available Bit 7 6 Setting 0 0 No limit 0 1 B4 (364 mm) 1 0 A4 (297 mm) 1 1 Not used		The setting determined by these bits is informed to the transmitting terminal in the pre-message protocol exchange (in the DIS/NSF frames).

Communication Switch 02			SP No. 1-104-003
No	FUNCTION		COMMENTS
0	Burst error threshold 0: Low 1: High		If there are more consecutive error lines in the received page than the threshold, the machine will send a negative response. The Low and High threshold values depend on the sub-scan resolution, and are as follows. Resolution 100 dpi 200 dpi 400 dpi 3.85 l/mm 7.7 l/mm 15.4 l/mm Low settings 6 12 24 High settings 12 24 48
1	Acceptable total error line ratio 0: 5% 1: 10%		If the error line ratio for a page exceeds the acceptable ratio, RTN will be sent to the other end.
2	Treatment of pages received with errors during G3 reception 0: Deleted from memory without printing 1: Printed		0: Pages received with errors are not printed.

Communication Switch 02		SP No. 1-104-003
No	FUNCTION	COMMENTS
3	Hang-up decision when a negative code (RTN or PIN) is received during G3 immediate transmission 0: No hang-up, 1: Hang-up	0: The next page will be sent even if RTN or PIN is received. 1: The machine will send DCN and hang up if it receives RTN or PIN. This bit is ignored for memory transmissions or if ECM is being used.
4-7	Not used	Do not change the settings.

Communication Switch 03		SP No. 1-104-004
No	FUNCTION	COMMENTS
0 to 7	Maximum number of page retransmissions in a G3 memory transmission	00 - FF (Hex) times. This setting is not used if ECM is switched on. Default setting - 03(H)

Communication Switch 04 - Not used (do not change the settings)
Communication Switch 05 - Not used (do not change the settings)
Communication Switch 06 - Not used (do not change the settings)
Communication Switch 07 - Not used (do not change the settings)
Communication Switch 08 - Not used (do not change the settings)
Communication Switch 09 - Not used (do not change the settings)

Communication Switch 0A		SP No. 1-104-011
No	FUNCTION	COMMENTS
0	Point of resumption of memory transmission upon redialing 0: From the error page 1: From page 1	0: The transmission begins from the page where transmission failed the previous time. 1: Transmission begins from the first page, using normal memory transmission.
1-6	Not used	Do not change the settings.
7	Emergency calls using 999 0: Enabled 1: Disabled	If this bit is at 1, the machine will not allow you to dial 999 at the auto-dialer. This is a PTT requirement in the Hong Kong.

Communication Switch 0B		SP No. 1-104-012
No	FUNCTION	COMMENTS
0	Use of Economy Transmission during a Transfer operation to end receivers 0: Disabled 1: Enabled	These bits determine whether the machine uses the Economy Transmission feature when it is carrying out a Transfer operation as a Transfer Station.
1	Use of Economy Transmission during a Transfer operation to the Next Transfer Stations 0: Disabled 1: Enabled	
2	Use of Label Insertion for the End Receivers in a Transfer operation 0: Disabled 1: Enabled	This bit determines whether the machine uses the Label Insertion feature when it is carrying out a Transfer operation as a Transfer Station.
3	Conditions required for Transfer Result Report transmission 0: Always transmitted 1: Only transmitted if there was an error	0: When acting as a Transfer Station, the machine will always send a Transfer Result Report back to the Requesting Station after completing the Transfer Request, even if there were no problems. 1: The machine will only send back a Transfer Result Report if there were errors during communication, meaning one or more of the End Receivers could not be contacted.
4	Printout of the message when acting as a Transfer Station 0: Disabled 1: Enabled	When the machine is acting as a Transfer Station, this bit determines whether the machine prints the fax message coming in from the Requesting Terminal.
5	Action when there is no fax number in the programmed Quick/Speed dials which meets the requesting terminal's own fax number 0: Transfer is disabled 1: Transfer is enabled	After the machine receives a transfer request, the machine compares the last N digits of the requesting terminal's own fax number with all the Quick/Speed dials programmed in the machine. (N is the number programmed in communication switch 0C.) 0: If there is no matching number programmed in the machine, the machine rejects the transfer request. 1: Even if there is no matching number programmed in the machine, the machine accepts the transfer request. The result report will be printed at the transfer terminal, but will not be sent back to the requesting terminal.
6-7	Not used	Do not change the settings.

Communication Switch 0C		SP No. 1-104-013
No	FUNCTION	COMMENTS
0 to 4	Number of digits compared to find the requester's fax number from the programmed Quick/Speed Dials when acting as a Transfer Station	00 - 1F (0 to 31 digits) After the machine receives a transfer request, the machine compares the own telephone number sent from the Requesting Terminal with all Quick/Speed Dials programmed in the machine, starting from Quick Dial 01 to the end of the Speed Dials. This number determines how many digits from the end of the telephone numbers the machine compares. If it is set to 00, the machine will send the report to the first Quick/Speed Dial that the machine compared. If Quick Dial 01 is programmed, the machine will send the report to Quick 01. If Quick Dial 01 through 04 are not programmed and Quick Dial 05 is programmed, the machine will send the report to Quick 05. Default setting - 05(H) = 5 digits
5-7	Not used	Do not change the settings.

Communication Switch 0D		SP No. 1-104-014
No	FUNCTION	COMMENTS
0 to 7	The available memory threshold, below which ringing detection (and therefore reception into memory) is disabled	00 to FF (Hex), unit = 4 kbytes (e.g., 06(H) = 24 kbytes) One page is about 24 kbytes. The machine refers to this setting before each fax reception. If the amount of remaining memory is below this threshold, the machine cannot receive any fax messages. If this setting is kept at 0, the machine will detect ringing signals and go into receive mode even if there is no memory available. This will result in communication failure.

Communication Switch 0E		SP No. 1-104-015
No	FUNCTION	COMMENTS
0 to 7	Minimum interval between automatic dialing attempts	06 to FF (Hex), unit = 2 s (e.g., 06(H) = 12 s) This value is the minimum time that the machine waits before it dials the next destination.

Communication Switch 0F - Not used (do not change the settings.)

Communication Switch 10		SP No. 1-104-017
No	FUNCTION	COMMENTS
0 to 7	Memory transmission: Maximum number of dialing attempts to the same destination	01 - FE (Hex) times

Communication Switch 11 - Not used (do not change the settings.)

Communication Switch 12		SP No. 1-104-019
No	FUNCTION	COMMENTS
0 to 7	Memory transmission: Interval between dialing attempts to the same destination	01 - FF (Hex) minutes

Communication Switch 13 - Not used (do not change the settings.)

Communication Switch 14		SP No. 1-104-021															
No	FUNCTION	COMMENTS															
0	Inch-to-mm conversion during transmission 0: Disabled 1: Enabled	<p>0: In immediate transmission, data scanned in inch format are transmitted without conversion. In memory transmission, data stored in the SAF memory in mm format are transmitted without conversion.</p> <p>Note: When storing the scanned data into SAF memory, the fax unit always converts the data into mm format.</p> <p>1: The machine converts the scanned data or stored data in the SAF memory to the format which was specified in the set-up protocol (DIS/NSF) before transmission.</p>															
1-5	Not used	Do not change the factory settings.															
6 to 7	Available unit of resolution in which fax messages are received	For the best performance, do not change the factory settings.															
	<table border="1"> <thead> <tr> <th>Bit 7</th> <th>Bit 6</th> <th>Unit</th> </tr> </thead> <tbody> <tr> <td>0</td> <td>0</td> <td>mm</td> </tr> <tr> <td>0</td> <td>1</td> <td>inch</td> </tr> <tr> <td>1</td> <td>0</td> <td>mm and inch (default)</td> </tr> <tr> <td>1</td> <td>1</td> <td>Not used</td> </tr> </tbody> </table>	Bit 7	Bit 6	Unit	0	0	mm	0	1	inch	1	0	mm and inch (default)	1	1	Not used	The setting determined by these bits is informed to the transmitting terminal in the pre-message protocol exchange (in the DIS/NSF frames).
Bit 7	Bit 6	Unit															
0	0	mm															
0	1	inch															
1	0	mm and inch (default)															
1	1	Not used															

Communication Switch 15 - Not used (do not change the settings.)

Communication Switch 16		SP No. 1-104-023
No	FUNCTION	COMMENTS
0	Not used	Do not change the settings.
1	Optional G3 unit (G3-2) 0: Not installed 1: Installed	Change this bit to 1 when installing the first optional G3 unit.
2-7	Not used	Do not change the settings.

Communication Switch 17		SP No. 1-104-024
No	FUNCTION	COMMENTS
0	SEP reception 0: Disabled 1: Enabled	0: Polling transmission to another maker's machine using the SEP (Selective Polling) signal is disabled.
1	SUB reception 0: Disabled 1: Enabled	0: Confidential reception to another maker's machine using the SUB (Sub-address) signal is disabled.
2	PWD reception 0: Disabled 1: Enabled	0: Disables features that require PWD (Password) signal reception.
3-6	Not used	Do not change the settings.
7	Action when there is no box with an F-code that matches the received SUB code 0: Disconnect the line 1: Receive the message (using normal reception mode)	Change this setting when the customer requires.

Communication Switch 18 - Not used (do not change the settings)
Communication Switch 19 - Not used (do not change the settings)
Communication Switch 1A - Not used (do not change the settings)

Communication Switch 1B		SP No. 1-104-028
No	FUNCTION	COMMENTS
0 to 7	Extension access code (0 to 7) to turn V.8 protocol On/Off 0: On 1: Off	If the PABX does not support V.8/V.34 protocol procedure, set this bit to "1" to disable V.8. Example: If "0" is the PSTN access code, set bit 0 to 1. When the machine detects "0" as the first dialed number, it automatically disables V.8 protocol. (Alternatively, if "3" is the PSTN access code, set bit 3 to 1.)

Communication Switch 1C		SP No. 1-104-029
No	FUNCTION	COMMENTS
0 to 1	Extension access code (8 and 9) to turn V.8 protocol On/Off 0: On 1: Off	Refer to communication switch 1B. Example: If "8" is the PSTN access code, set bit 0 to 1. When the machine detects "8" as the first dialed number, it automatically disables V.8 protocol. (If "9" is the PSTN access code, use bit 1.)
2-7	Not used	Do not change the settings.

Communication Switch 1D - Not used (do not change the settings)
Communication Switch 1E - Not used (do not change the settings)
Communication Switch 1F - Not used (do not change the settings)

Service Tables

4.2.5 G3 SWITCHES

G3 Switch 00		SP No. 1-105-001
No	FUNCTION	COMMENTS
0 1	Monitor speaker during communication (tx and rx) Bit 1 Bit 0 Setting 0 0 Disabled 0 1 Up to Phase B 1 0 All the time 1 1 Not used	(0, 0): The monitor speaker is disabled all through the communication. (0, 1): The monitor speaker is on up to phase B in the T.30 protocol. (1, 0): Used for testing. The monitor speaker is on all through the communication. Make sure that you reset these bits after testing.
2	Monitor speaker during memory transmission 0: Disabled 1: Enabled	1: The monitor speaker is enabled during memory transmission.
3-7	Not used	Do not change the settings.

G3 Switch 01		SP No. 1-105-002
No	FUNCTION	COMMENTS
0-3	Not used	Do not change the settings.
4	DIS frame length 0: 10 bytes 1: 4 bytes	1: The bytes in the DIS frame after the 4th byte will not be transmitted (set to 1 if there are communication problems with PC-based faxes which cannot receive the extended DIS frames).
5	Not used	Do not change the setting.
6	CED/ANSam transmission 0: Disabled 1: Enabled	Do not change this setting, unless the communication problem is caused by the CED/ANSam transmission.
7	Not used	Do not change the setting.

G3 Switch 02		SP No. 1-105-003
No	FUNCTION	COMMENTS
0	G3 protocol mode used 0: Standard and non-standard 1: Standard only	Change this bit to 1 only when the other end can only communicate with machines that send T.30-standard frames only. 1: Disables NSF/NSS signals (these are used in non-standard mode communication)
1-4	Not used	Do not change the settings.
5	Use of modem rate history for transmission using Quick/Speed Dials 0: Disabled 1: Enabled	0: Communications using Quick/Speed Dials always start from the highest modem rate. 1: The machine refers to the modem rate history for communications with the same machine when determining the most suitable rate for the current communication.
6	AI short protocol (transmission and reception) 0: Disabled 1: Enabled	Refer to Appendix B in the Group 3 Facsimile Manual for details about AI Short Protocol.
7	Short preamble 0: Disabled 1: Enabled	Refer to Appendix B in the Group 3 Facsimile Manual for details about Short Preamble.

G3 Switch 03		SP No. 1-105-004
No	FUNCTION	COMMENTS
0	DIS detection number (Echo countermeasure) 0: 1 1: 2	0: The machine will hang up if it receives the same DIS frame twice. 1: Before sending DCS, the machine will wait for the second DIS which is caused by echo on the line.
1	V.8 protocol in manual reception 0: Disabled 1: Enabled	0: The machine sends CED instead of ANSam when starting a manual reception. 1: The machine sends ANSam during manual reception.
2	V.8 protocol 0: Disabled 1: Enabled	0: V.8/V.34 communications will not be possible. Note: Do not set to 0 unless the line condition is always bad enough to slow down the data rate to 14.4 kbps or lower.
3	ECM frame size 0: 256 bytes 1: 64 bytes	Keep this bit at "0" in most cases.
4	CTC transmission conditions 0: Ricoh mode (PPR x 1) 1: ITU-T mode (PPR x 4)	When using ECM, the machine will choose a slower modem rate after receiving PPR once (Ricoch mode) or four times (ITU-T mode). This bit is ineffective in V.34 communications.
5	Modem rate used for the next page after receiving a negative code (RTN or PIN) 0: No change 1: Fallback	1: The machine's tx modem rate will fall back before sending the next page if a negative code is received. This bit is ignored if ECM is being used.
6	V.8 protocol in manual transmission 0: Disabled 1: Enabled	1: The machine detects either ANSam or CED during manual transmission.
7	Not used	Do not change the setting.

G3 Switch 04		SP No. 1-105-005
No	FUNCTION	COMMENTS
0 to 3	Training error detection threshold	0 - F (Hex); 0 - 15 bits If the number of error bits in the received TCF is below this threshold, the machine informs the sender that training has succeeded.
4-7	Not used	Do not change the settings.

G3 Switch 05		SP No. 1-105-006
No	FUNCTION	COMMENTS
0 to 3	Initial Tx modem rate Bit 3 2 1 0 Setting (bps) 0 0 0 1 2.4 k 0 0 1 0 4.8 k 0 0 1 1 7.2 k 0 1 0 0 9.6 k 0 1 0 1 12.0 k 0 1 1 0 14.4 k 0 1 1 1 16.8 k 1 0 0 0 19.2 k 1 0 0 1 21.6 k 1 0 1 0 24.0 k 1 0 1 1 26.4 k 1 1 0 0 28.8 k 1 1 0 1 31.2 k 1 1 1 0 33.6 k Other settings - Not used	These bits set the initial starting modem rate for transmission. Use the dedicated transmission parameters if you need to change this for specific receivers. If a modem rate 14.4 kbps or slower is selected, V.8 protocol should be disabled manually. Cross reference V.8 protocol on/off - G3 switch 03, bit2
4 to 5	Initial modem type for 9.6 k or 7.2 kbps. Bit 5 Bit 4 Setting 0 0 V.29 0 1 V.17 1 0 V.34 1 1 Not used	These bits set the initial modem type for 9.6 and 7.2 kbps, if the initial modem rate is set at these speeds.
6-7	Not used	Do not change the settings.

G3 Switch 06		SP No. 1-105-007
No	FUNCTION	COMMENTS
0 to 3	Initial Rx modem rate Bit 3 2 1 0 Setting (bps) 0 0 0 1 2.4 k 0 0 1 0 4.8 k 0 0 1 1 7.2 k 0 1 0 0 9.6 k 0 1 0 1 12.0 k 0 1 1 0 14.4 k 0 1 1 1 16.8 k 1 0 0 0 19.2 k 1 0 0 1 21.6 k 1 0 1 0 24.0 k 1 0 1 1 26.4 k 1 1 0 0 28.8 k 1 1 0 1 31.2 k 1 1 1 0 33.6 k Other settings - Not used	These bits set the initial starting modem rate for reception. Use a lower setting if high speeds pose problems during reception. If a modem rate 14.4 kbps or slower is selected, V.8 protocol should be disabled manually. Cross reference V.8 protocol on/off - G3 switch 03, bit2

G3 Switch 06		SP No. 1-105-007
No	FUNCTION	COMMENTS
4 to 7	Modem types available for reception Bit 7 6 5 4 Setting 0 0 0 1 V.27ter 0 0 1 0 V.27ter, V.29 0 0 1 1 V.27ter, V.29 V.33 0 1 0 0 V.27ter, V.29, V.17/V.33 0 1 0 1 V.27ter, V.29, V.17/V.33, V.34 Other settings - Not used	The setting of these bits is used to inform the transmitting terminal of the available modem type for the machine in receive mode. If V.34 is not selected, V.8 protocol must be disabled manually. Cross reference V.8 protocol on/off - G3 switch 03, bit2

G3 Switch 07		SP No. 1-105-008
No	FUNCTION	COMMENTS
0 to 1	PSTN cable equalizer (tx mode: Internal) Bit 1 Bit 0 Setting 0 0 None 0 1 Low 1 0 Medium 1 1 High	Use a higher setting if there is signal loss at higher frequencies because of the length of wire between the modem and the telephone exchange. Use the dedicated transmission parameters for specific receivers. Also, try using the cable equalizer if one or more of the following symptoms occurs. <ul style="list-style-type: none"> • Communication error • Modem rate fallback occurs frequently. Note: This setting is not effective in V.34 communications.
2 to 3	PSTN cable equalizer (rx mode: Internal) Bit 3 Bit 2 Setting 0 0 None 0 1 Low 1 0 Medium 1 1 High	Use a higher setting if there is signal loss at higher frequencies because of the length of wire between the modem and the telephone exchange. Also, try using the cable equalizer if one or more of the following symptoms occurs. <ul style="list-style-type: none"> • Communication error with error codes such as 0-20, 0-23, etc. • Modem rate fallback occurs frequently. Note: This setting is not effective in V.34 communications.
4	PSTN cable equalizer (V.8/V.17 rx mode: External) 0: Disabled 1: Enabled	Keep this bit at "1".
5	PSTN cable equalizer (V.34 rx mode; External)	Keep this bit at "1".
6-7	Not used	Do not change the settings.

G3 Switch 08 - Not used (do not change the settings)
G3 Switch 09 - Not used (do not change the settings)

G3 Switch 0A		SP No. 1-105-011
No	FUNCTION	COMMENTS
0 1	Maximum allowable carrier drop during image data reception Bit 1 Bit 0 Value (ms) 0 0 200 0 1 400 1 0 800 1 1 Not used	These bits set the acceptable modem carrier drop time. Try using a longer setting if error code 0-22 is frequent.
2-3	Not used	Do not change the settings.
4	Maximum allowable frame interval during image data reception. 0: 5 s 1: 13 s	This bit set the maximum interval between EOL (end-of-line) signals and the maximum interval between ECM frames from the other end. Try using a longer setting if error code 0-21 is frequent.
5	Not used	Do not change the settings.
6	Reconstruction time for the first line in receive mode 0: 6 s 1: 12 s	When the sending terminal is controlled by a computer, there may be a delay in receiving page data after the local machine accepts set-up data and sends CFR. This is outside the T.30 recommendation. But, if this delay occurs, set this bit to 1 to give the sending machine more time to send data. Refer to error code 0-20. ITU-T T.30 recommendation: The first line should come within 5 s of CFR.
7	Not used	Do not change the settings.

G3 Switch 0B		SP No. 1-105-012
No	FUNCTION	COMMENTS
0	Protocol requirements: Europe 0: Disabled 1: Enabled	The machine does not automatically reset these bits for each country after a country code (System Switch 0F) is programmed. Change the required bits manually at installation.
1	Protocol requirements: Spain 0: Disabled 1: Enabled	
2	Protocol requirements: Germany 0: Disabled 1: Enabled	
3	Protocol requirements: France 0: Disabled 1: Enabled	
4	PTT requirements: Germany 0: Disabled 1: Enabled	
5	PTT requirements: France 0: Disabled 1: Enabled	
6	Not used	Do not change the settings.
7	DTS requirements : Germany 0: Disabled 1: Enabled	Change this bit manually if required.

G3 Switch 0C		SP No. 1-105-013
No	FUNCTION	COMMENTS
0	Pulse dialing method	P = Number of pulses sent out, N = Number dialed.
1	Bit 1 Bit 0 Setting 0 0 Normal(P=N) 0 1 Oslo (P=10 - N) 1 0 Sweden (N+1) 1 1 Not used	
2-7	Not used	
2-7	Not used	Do not change the settings.

G3 Switch 0D		SP No. 1-105-014
No	FUNCTION	COMMENTS
0-1	Not used	Do not change the settings.
2 to 5	Data rate threshold during V.34 reception Bit 5 4 3 2 Setting 0 0 0 0 Normal 0 1 1 1 Lower by one step 1 1 1 1 Lower by two steps	The machine changes the modulation parameters in the MPH signal to lower the initial modem rate during V.34 reception. If this switch is set to "0111", the machine lowers the initial speed one step, for example, from 28,800 to 26,400 bps. This switch reduces transmission time if the machine frequently sends PPR signals during V.34 reception.
6	Not used	Do not change the settings.
7	B signal detection time for V.34 polling transmission 0: 75 ms (default setting) 1: 65 ms	Change this switch only when there are communication errors during V.34 polling transmission to a machine with a Panasonic modem.

G3 Switch 0E - Not used (do not change the settings)

G3 Switch 0F		SP No. 1-105-016
No	FUNCTION	COMMENTS
0	Alarm when an error occurred in Phase C or later 0 : Disabled 1 : Enabled	If the customer wants to hear an alarm after each error communication, change this bit to "1".
1	Alarm when the handset is off-hook at the end of communication 0 : Disabled 1 : Enabled	If the customer wants to hear an alarm if the handset is off-hook at the end of fax communication, change this bit to "1".
2-7	Not used	Do not change the settings.

4.2.6 G3-2/3 SWITCHES

These switches require an optional G3 interface unit.

G3-3 switches are the same as for G3-2 switches.

G3-2 Switch 00			SP No. 1-106-001
No	FUNCTION	COMMENTS	
0-1	Monitor speaker during communication (tx and rx)	(0, 0): The monitor speaker is disabled all through the communication.	
	Bit 1 Bit 0 Setting	(0, 1): The monitor speaker is on up to phase B in the T.30 protocol.	
	0 0 Disabled	(1, 0): Used for testing. The monitor speaker is on all through the communication. Make sure that you reset these bits after testing.	
	0 1 Up to Phase B		
	1 0 All the time		
1 1 Not used			
2	Monitor speaker during memory transmission 0: Disabled 1: Enabled	1: The monitor speaker is enabled during memory transmission.	
3-6	Not used	Do not change the settings.	

G3-2 Switch 01			SP No. 1-106-002
No	FUNCTION	COMMENTS	
0-3	Not used	Do not change the settings.	
4	DIS frame length 0: 10 bytes 1: 4 bytes	1: The bytes in the DIS frame after the 4th byte will not be transmitted (set to 1 if there are communication problems with PC-based faxes which cannot receive the extended DIS frames).	
5	Not used	Do not change the setting.	
6	CED/ANSam transmission 0: Disabled 1: Enabled	Do not change this setting, unless the communication problem is caused by the CED/ANSam transmission.	
7	Not used	Do not change the setting.	

G3-2 Switch 02			SP No. 1-106-003
No	FUNCTION	COMMENTS	
0	G3 protocol mode used 0: Standard and non-standard 1: Standard only	Change this bit to 1 only when the other end can only communicate with machines that send T.30-standard frames only. 1: Disables NSF/NSS signals (these are used in non-standard mode communication)	
1-4	Not used	Do not change the settings.	
5	Use of modem rate history for transmission using Quick/Speed Dials 0: Disabled 1: Enabled	0: Communications using Quick/Speed Dials always start from the highest modem rate. 1: The machine refers to the modem rate history for communications with the same machine when determining the most suitable rate for the current communication.	
6	AI short protocol (transmission and reception) 0: Disabled 1: Enabled	Refer to Appendix B in the Group 3 Facsimile Manual for details about AI Short Protocol.	
7	Short preamble 0: Disabled 1: Enabled	Refer to Appendix B in the Group 3 Facsimile Manual for details about Short Preamble.	

G3-2 Switch 03		SP No. 1-106-004
No	FUNCTION	COMMENTS
0	DIS detection number (Echo countermeasure) 0: 1 1: 2	0: The machine will hang up if it receives the same DIS frame twice. 1: Before sending DCS, the machine will wait for the second DIS which is caused by echo on the line.
1	Not used	Do not change the settings.
2	V.8 protocol 0: Disabled 1: Enabled	0: V.8/V.34 communications will not be possible. Note: Do not set to 0 unless the line condition is always bad enough to slow down the data rate to 14.4 kbps or lower.
3	ECM frame size 0: 256 bytes 1: 64 bytes	Keep this bit at "0" in most cases.
4	CTC transmission conditions 0: After one PPR signal received 1: After four PPR signals received (ITU-T standard)	0: When using ECM in non-standard (NSF/NSS) mode, the machine sends a CTC to drop back the modem rate after receiving a PPR, if the following condition is met in communications at 14.4, 12.0, 9.6, and 7.2 kbps. $\sqrt{N_{\text{Transmit}} \leq N_{\text{Resend}}}$ N _{Transmit} - Number of transmitted frames N _{Resend} - Number of frames to be retransmitted 1: When using ECM, the machine sends a CTC to drop back the modem rate after receiving four PPRs. PPR, CTC: These are ECM protocol signals. This bit is not effective in V.34 communications.
5	Modem rate used for the next page after receiving a negative code (RTN or PIN) 0: No change 1: Fallback	1: The machine's tx modem rate will fall back before sending the next page if a negative code is received. This bit is ignored if ECM is being used.
6	Not used	Do not change the settings.
7	Not used	Do not change the settings.

G3-2 Switch 04		SP No. 1-106-005
No	FUNCTION	COMMENTS
0 to 3	Training error detection threshold	0 - F (Hex); 0 - 15 bits If the number of error bits in the received TCF is below this threshold, the machine informs the sender that training has succeeded.
4-7	Not used	Do not change the settings.

G3-2 Switch 05		SP No. 1-106-006
No	FUNCTION	COMMENTS
0 to 3	Initial Tx modem rate Bit 3 2 1 0 Setting (bps) 0 0 0 1 2.4 k 0 0 1 0 4.8 k 0 0 1 1 7.2 k 0 1 0 0 9.6 k 0 1 0 1 12.0 k 0 1 1 0 14.4 k 0 1 1 1 16.8 k 1 0 0 0 19.2 k 1 0 0 1 21.6 k 1 0 1 0 24.0 k 1 0 1 1 26.4 k 1 1 0 0 28.8 k 1 1 0 1 31.2 k 1 1 1 0 33.6 k Other settings - Not used	These bits set the initial starting modem rate for transmission. Use the dedicated transmission parameters if you need to change this for specific receivers. If a modem rate 14.4 kbps or slower is selected, V.8 protocol should be disabled manually. Cross reference V.8 protocol on/off - SG3 switch 03, bit2
4 to 5	Initial modem type for 9.6 k or 7.2 kbps. Bit 5 Bit 4 Setting 0 0 V.29 0 1 V.17 1 0 V.34 1 1 Not used	These bits set the initial modem type for 9.6 and 7.2 kbps, if the initial modem rate is set at these speeds.
6-7	Not used	Do not change the settings.

G3-2 Switch 06		SP No. 1-106-007
No	FUNCTION	COMMENTS
0 to 3	Initial Rx modem rate Bit 3 2 1 0 Setting (bps) 0 0 0 1 2.4 k 0 0 1 0 4.8 k 0 0 1 1 7.2 k 0 1 0 0 9.6 k 0 1 0 1 12.0 k 0 1 1 0 14.4 k 0 1 1 1 16.8 k 1 0 0 0 19.2 k 1 0 0 1 21.6 k 1 0 1 0 24.0 k 1 0 1 1 26.4 k 1 1 0 0 28.8 k 1 1 0 1 31.2 k 1 1 1 0 33.6 k Other settings - Not used	These bits set the initial starting modem rate for reception. Use a lower setting if high speeds pose problems during reception. If a modem rate 14.4 kbps or slower is selected, V.8 protocol should be disabled manually. Cross reference V.8 protocol on/off - SG3 switch 03, bit2

G3-2 Switch 06		SP No. 1-106-007
No	FUNCTION	COMMENTS
4 to 7	<p>Modem types available for reception</p> <p>Bit 7 6 5 4 Setting</p> <p>0 0 0 1 V.27ter</p> <p>0 0 1 0 V.27ter, V.29</p> <p>0 0 1 1 V.27ter, V.29 V.33</p> <p>0 1 0 0 V.27ter, V.29, V.17/V.33</p> <p>0 1 0 1 V.27ter, V.29, V.17/V33, V.34</p> <p>Other settings - Not used</p>	<p>The setting of these bits is used to inform the transmitting terminal of the available modem type for the machine in receive mode.</p> <p>If V.34 is not selected, V.8 protocol must be disabled manually.</p> <p>Cross reference V.8 protocol on/off - SG3 switch 03, bit2</p>

G3-2 Switch 07		SP No. 1-106-008
No	FUNCTION	COMMENTS
0 to 1	<p>PSTN cable equalizer (tx mode: Internal)</p> <p>Bit 1 Bit 0 Setting</p> <p>0 0 None</p> <p>0 1 Low</p> <p>1 0 Medium</p> <p>1 1 High</p>	<p>Use a higher setting if there is signal loss at higher frequencies because of the length of wire between the modem and the telephone exchange.</p> <p>Use the dedicated transmission parameters for specific receivers.</p> <p>Also, try using the cable equalizer if one or more of the following symptoms occurs.</p> <ul style="list-style-type: none"> • Communication error • Modem rate fallback occurs frequently. <p>Note: This setting is not effective in V.34 communications.</p>
2 to 3	<p>PSTN cable equalizer (rx mode: Internal)</p> <p>Bit 3 Bit 2 Setting</p> <p>0 0 None</p> <p>0 1 Low</p> <p>1 0 Medium</p> <p>1 1 High</p>	<p>Use a higher setting if there is signal loss at higher frequencies because of the length of wire between the modem and the telephone exchange.</p> <p>Also, try using the cable equalizer if one or more of the following symptoms occurs.</p> <ul style="list-style-type: none"> • Communication error with error codes such as 0-20, 0-23, etc. • Modem rate fallback occurs frequently. <p>Note: This setting is not effective in V.34 communications.</p>
4	<p>PSTN cable equalizer (V.8/V.17 rx mode: External)</p> <p>0: Disabled</p> <p>1: Enabled</p>	<p>Keep this bit at "1".</p>
5	<p>PSTN cable equalizer (V.34 rx mode; External)</p>	<p>Keep this bit at "1".</p>
6-7	Not used	Do not change the settings.

G3-2 Switch 08 - Not used (do not change the settings)
G3-2 Switch 09 - Not used (do not change the settings)

G3-2 Switch 0A		SP No. 1-106-011
No	FUNCTION	COMMENTS
0 1	Maximum allowable carrier drop during image data reception Bit 1 Bit 0 Value (ms) 0 0 200 0 1 400 1 0 800 1 1 Not used	These bits set the acceptable modem carrier drop time. Try using a longer setting if error code 0-22 is frequent.
2-3	Not used	Do not change the settings.
4	Maximum allowable frame interval during image data reception. 0: 5 s 1: 13 s	This bit set the maximum interval between EOL (end-of-line) signals and the maximum interval between ECM frames from the other end. Try using a longer setting if error code 0-21 is frequent.
5	Not used	Do not change the settings.
6	Reconstruction time for the first line in receive mode 0: 6 s 1: 12 s	When the sending terminal is controlled by a computer, there may be a delay in receiving page data after the local machine accepts set-up data and sends CFR. This is outside the T.30 recommendation. But, if this delay occurs, set this bit to 1 to give the sending machine more time to send data. Refer to error code 0-20. ITU-T T.30 recommendation: The first line should come within 5 s of CFR.
7	Not used	Do not change the settings.

Service
Tables

G3-2 Switch 0B		SP No. 1-106-012
No	FUNCTION	COMMENTS
0	Protocol requirements: Europe 0: Disabled 1: Enabled	The machine does not automatically reset these bits for each country after a country code (System Switch 0F) is programmed. Change the required bits manually at installation.
1	Protocol requirements: Spain 0: Disabled 1: Enabled	
2	Protocol requirements: Germany 0: Disabled 1: Enabled	
3	Protocol requirements: France 0: Disabled 1: Enabled	
4	PTT requirements: Germany 0: Disabled 1: Enabled	
5	PTT requirements: France 0: Disabled 1: Enabled	
6	Not used	Do not change the settings.
7	Not used	Do not change the settings.

G3-2 Switch 0C		SP No. 1-106-013
No	FUNCTION	COMMENTS
0	Pulse dialing method	P = Number of pulses sent out, N = Number dialed.
1	Bit 1 Bit 0 Setting	
	0 0 Normal(P=N)	
	0 1 Oslo (P=10 - N)	
	1 0 Sweden (N+1)	
	1 1 Not used	
2-7	Not used	Do not change the settings.

G3-2 Switch 0D - Not used (do not change the settings)
G3-2 Switch 0E - Not used (do not change the settings)
G3-2 Switch 0F - Not used (do not change the settings)

4.2.7 G4 INTERNAL SWITCHES

The G4 internal switches (SW00 to 1F) are displayed but do not change these settings.

4.2.8 G4 PARAMETER SWITCHES

The G4 parameter switches (SW00 to 0F) are displayed but do not change these settings.

4.2.9 IP FAX SWITCHES

IP Fax Switch 00		SP No. 1-111-001
No.	FUNCTION	COMMENTS
0	Not used	Do not change this setting.
1	IP Fax Transport 0: TCP, 1: UDP	
2	IP Fax single port selection 0: OFF, 1: ON (enable)	
3	IP Fax double ports (single data port) selection 0: OFF, 1: ON (enable)	
4	IP Fax Gatekeeper 0: OFF, 1: ON (enable)	
5	IP Fax T30 bit signal reverse 0: LSB first, 1: MSB first	Reverses the T30 bit signal.
6	IP Fax max bit rate setting 0: Not affected, 1: Affected	When "0" is selected, the max bit rate does not affect the value of the DIS/DCS. When "1" is selected, the max bit rate affects the value of the DIS/DCS.
7	IP Fax received telephone number confirmation 0: No confirmation, 1: Confirmation	When "0" is selected, fax data is received without checking the telephone number. When "1" is selected, fax data is received only when confirming that the telephone number from the sender matches the registered telephone number in this machine. If this confirmation fails, the line is disconnected.

IP Fax Switch 01		SP No. 1-111-002																									
No.	FUNCTION	COMMENTS																									
0-3	IP Fax delay level setting Selects the acceptable delay level. Level 0 is the highest quality Default is "0000" (level 0).	<table border="1"> <thead> <tr> <th>Bit 3</th> <th>Bit 2</th> <th>Bit 1</th> <th>Bit 0</th> <th></th> </tr> </thead> <tbody> <tr> <td>0</td> <td>0</td> <td>0</td> <td>0</td> <td>Level 0</td> </tr> <tr> <td>0</td> <td>0</td> <td>0</td> <td>1</td> <td>Level 1</td> </tr> <tr> <td>0</td> <td>0</td> <td>1</td> <td>0</td> <td>Level 2</td> </tr> <tr> <td>0</td> <td>0</td> <td>1</td> <td>1</td> <td>Level 3</td> </tr> </tbody> </table>	Bit 3	Bit 2	Bit 1	Bit 0		0	0	0	0	Level 0	0	0	0	1	Level 1	0	0	1	0	Level 2	0	0	1	1	Level 3
Bit 3	Bit 2	Bit 1	Bit 0																								
0	0	0	0	Level 0																							
0	0	0	1	Level 1																							
0	0	1	0	Level 2																							
0	0	1	1	Level 3																							
4-7	IP Fax preamble wait time setting	Selects the preamble wait time. [00 to 0f] There are 16 values in this 4-bit binary switch combination. Waiting time: set value level x 100 ms Max: 0f (1500 ms) Min: 00 (No wait time) The default is "0000" (00H).																									

IP Fax Switch 02		SP No. 1-111-003
No.	FUNCTION	COMMENTS
0	IP Fax bit signal reverse setting 0: Maker code setting 1: Internal bit switch setting	When "0" is selected, the bit signal reverse method is decided by the maker code. When "1" is selected, the bit signal reverse method is decided by the internal bit switch. NOTE: When communicating between IP Fax devices, LSB first is selected.)
1	IP Fax transmission speed setting 0: Modem speed 1: No limitation	Selects the transmit speed for IP Fax communication.
2	SIP transport setting 0: TCP 1: UDP	This bit switch sets the transport that has priority for receiving IP Fax data. This function is activated only when the sender has both TCP and UDP.
3-7	Not used	Do not change these settings.

IP Fax Switch 03		SP No. 1-111-004
No.	FUNCTION	COMMENTS
0	Effective field limitation for G3 standard function information 0: OFF, 1: 4byte (DIS)	
1	Switching between G3 standard and G3 non standard 0: Enable switching 1: G3 standard only	
2	AI modem rate function 0: OFF, 1: ON (enable)	
3	ECM frame size selection at transmitting 0: 256byte, 1: 64byte	
4	DIS detection times for echo prevention 0: 1 time, 1: 2 times	
5	CTC transmission selection 0: PPRx1 1: PPRx4	When "0" is selected, the transmission condition is decided by error frame numbers. When "1" is selected, the transmission condition is based on the ITU-T method.
6	Shift down setting at receiving negative code 0: OFF, 1: ON	
7	Not used	Do not change this setting.

IP Fax Switch 04		SP No. 1-111-005
No.	FUNCTION	COMMENTS
0	TCF error threshold	Sets the TCF error threshold level. [00 to 0f] The default is "1111" (0fH).
1		
2		
3		
4-7	Not used	Do not change these settings.

IP Fax Switch 05		SP No. 1-111-006																																																																											
No.	FUNCTION	COMMENTS																																																																											
0-3	Modem bit rate setting for transmission Sets the modem bit rate for transmission. The default is "0110" (14.4K bps).																																																																												
	<table border="1"> <thead> <tr> <th>Bit 3</th> <th>Bit 2</th> <th>Bit 1</th> <th>Bit 0</th> <th></th> </tr> </thead> <tbody> <tr> <td>0</td> <td>0</td> <td>0</td> <td>1</td> <td>2400 bps</td> </tr> <tr> <td>0</td> <td>0</td> <td>1</td> <td>0</td> <td>4800 bps</td> </tr> <tr> <td>0</td> <td>0</td> <td>1</td> <td>1</td> <td>7200 bps</td> </tr> <tr> <td>0</td> <td>1</td> <td>0</td> <td>0</td> <td>9600 bps</td> </tr> <tr> <td>0</td> <td>1</td> <td>0</td> <td>1</td> <td>12.0K bps</td> </tr> <tr> <td>0</td> <td>1</td> <td>1</td> <td>0</td> <td>14.4K bps</td> </tr> <tr> <td>0</td> <td>1</td> <td>1</td> <td>1</td> <td>16.8K bps</td> </tr> <tr> <td>1</td> <td>0</td> <td>0</td> <td>0</td> <td>19.2K bps</td> </tr> <tr> <td>1</td> <td>0</td> <td>0</td> <td>1</td> <td>21.6K bps</td> </tr> <tr> <td>1</td> <td>0</td> <td>1</td> <td>0</td> <td>24.0K bps</td> </tr> <tr> <td>1</td> <td>0</td> <td>1</td> <td>1</td> <td>26.4K bps</td> </tr> <tr> <td>1</td> <td>1</td> <td>0</td> <td>0</td> <td>28.8K bps</td> </tr> <tr> <td>1</td> <td>1</td> <td>0</td> <td>1</td> <td>31.2K bps</td> </tr> <tr> <td>1</td> <td>1</td> <td>1</td> <td>0</td> <td>33.6K bps</td> </tr> </tbody> </table>		Bit 3	Bit 2	Bit 1	Bit 0		0	0	0	1	2400 bps	0	0	1	0	4800 bps	0	0	1	1	7200 bps	0	1	0	0	9600 bps	0	1	0	1	12.0K bps	0	1	1	0	14.4K bps	0	1	1	1	16.8K bps	1	0	0	0	19.2K bps	1	0	0	1	21.6K bps	1	0	1	0	24.0K bps	1	0	1	1	26.4K bps	1	1	0	0	28.8K bps	1	1	0	1	31.2K bps	1	1	1	0	33.6K bps
	Bit 3	Bit 2	Bit 1	Bit 0																																																																									
	0	0	0	1	2400 bps																																																																								
	0	0	1	0	4800 bps																																																																								
	0	0	1	1	7200 bps																																																																								
	0	1	0	0	9600 bps																																																																								
	0	1	0	1	12.0K bps																																																																								
	0	1	1	0	14.4K bps																																																																								
	0	1	1	1	16.8K bps																																																																								
	1	0	0	0	19.2K bps																																																																								
	1	0	0	1	21.6K bps																																																																								
	1	0	1	0	24.0K bps																																																																								
	1	0	1	1	26.4K bps																																																																								
1	1	0	0	28.8K bps																																																																									
1	1	0	1	31.2K bps																																																																									
1	1	1	0	33.6K bps																																																																									
4-5	Modem setting for transmission Sets the modem for transmission. The default is "00" (V29).																																																																												
	<table border="1"> <thead> <tr> <th>Bit 5</th> <th>Bit 4</th> <th></th> </tr> </thead> <tbody> <tr> <td>0</td> <td>0</td> <td>V29</td> </tr> <tr> <td>0</td> <td>1</td> <td>V17</td> </tr> <tr> <td>1</td> <td>0</td> <td>V34</td> </tr> <tr> <td>1</td> <td>1</td> <td>Not used</td> </tr> </tbody> </table>		Bit 5	Bit 4		0	0	V29	0	1	V17	1	0	V34	1	1	Not used																																																												
	Bit 5	Bit 4																																																																											
	0	0	V29																																																																										
0	1	V17																																																																											
1	0	V34																																																																											
1	1	Not used																																																																											
6-7	Not used	Do not change these settings.																																																																											

IP Fax Switch 06		SP No. 1-111-007			
No.	FUNCTION	COMMENTS			
0-3	Modem bit rate setting for reception Sets the modem bit rate for reception. The default is "0110" (14.4K bps).				
	Bit 3	Bit 2	Bit 1	Bit 0	
	0	0	0	1	2400 bps
	0	0	1	0	4800 bps
	0	0	1	1	7200 bps
	0	1	0	0	9600 bps
	0	1	0	1	12.0K bps
	0	1	1	0	14.4K bps
	0	1	1	1	16.8K bps
	1	0	0	0	19.2K bps
	1	0	0	1	21.6K bps
	1	0	1	0	24.0K bps
	1	0	1	1	26.4K bps
	1	1	0	0	28.8K bps
1	1	0	1	31.2K bps	
1	1	1	0	33.6K bps	
4-7	Modem setting for reception Sets the modem for reception. The default is "0010" (V27ter, V29).				
	Bit 7	Bit 6	Bit 5	Bit 4	
	0	0	0	1	V27ter
	0	0	1	0	V27ter, V29
	0	0	1	1	V27ter, V29, V33 (invalid)
	0	1	0	0	V27ter, V29, V17
0	1	0	1	V27ter, V29, V17, V34	

IP Fax Switch 07		SP No. 1-111-008
No.	FUNCTION	COMMENTS
0	TSI information 0: Not added, 1: Added	Adds or does not add TSI information to NSS(S).
1	DCN transmission setting at T1 timeout 0: Not transmitted, 1: Transmitted	Transmits or does not transmit DCN at T1 timeout.
2	Not used	Do not change this setting.
3	Hang up setting at DIS reception disabled 0: No hang up 1: Hang up after transmitting DCN	
4	Number of times for training 0: 1 time, 1: 2 times	Selects the number of times training is done at the same bit rate.
5	Space CSI transmission setting at no CSI registration 0: Not transmitted, 1: Transmitted	When "0" is selected, frame data is enabled. When "1" is selected, the transmitted data is all spaces.
6-7	Not used	Do not change these settings.

IP Fax Switch 08		SP No. 1-111-009															
No.	FUNCTION	COMMENTS															
0-1	<p>T1 timer adjustment Adjusts the T1 timer. The default is "00" (35 seconds).</p> <table border="1"> <thead> <tr> <th>Bit 1</th> <th>Bit 0</th> <th></th> </tr> </thead> <tbody> <tr> <td>0</td> <td>0</td> <td>35 sec</td> </tr> <tr> <td>0</td> <td>1</td> <td>40 sec</td> </tr> <tr> <td>1</td> <td>0</td> <td>50 sec</td> </tr> <tr> <td>1</td> <td>1</td> <td>60 sec</td> </tr> </tbody> </table>	Bit 1	Bit 0		0	0	35 sec	0	1	40 sec	1	0	50 sec	1	1	60 sec	
Bit 1	Bit 0																
0	0	35 sec															
0	1	40 sec															
1	0	50 sec															
1	1	60 sec															
2-3	<p>T4 timer adjustment Adjust the T4 timer. The default is "00" (3 seconds).</p> <table border="1"> <thead> <tr> <th>Bit 3</th> <th>Bit 2</th> <th></th> </tr> </thead> <tbody> <tr> <td>0</td> <td>0</td> <td>3 sec</td> </tr> <tr> <td>0</td> <td>1</td> <td>3.5 sec</td> </tr> <tr> <td>1</td> <td>0</td> <td>4 sec</td> </tr> <tr> <td>1</td> <td>1</td> <td>5 sec</td> </tr> </tbody> </table>	Bit 3	Bit 2		0	0	3 sec	0	1	3.5 sec	1	0	4 sec	1	1	5 sec	
Bit 3	Bit 2																
0	0	3 sec															
0	1	3.5 sec															
1	0	4 sec															
1	1	5 sec															
4-5	<p>T0 timer adjustment</p> <table> <thead> <tr> <th>Bit 5</th> <th>Bit 4</th> <th></th> </tr> </thead> <tbody> <tr> <td>0</td> <td>0</td> <td>75 sec</td> </tr> <tr> <td>0</td> <td>1</td> <td>120 sec</td> </tr> <tr> <td>1</td> <td>0</td> <td>180 sec</td> </tr> <tr> <td>1</td> <td>1</td> <td>240 sec</td> </tr> </tbody> </table> <p>Adjusts the fail safe timer. This timer sets the interval between "setup" data transmission and T.38 phase decision.</p> <p>If your destination return is late on the network or G3 fax return is late, adjust the longer interval timer. The default is "00" (75 seconds).</p>	Bit 5	Bit 4		0	0	75 sec	0	1	120 sec	1	0	180 sec	1	1	240 sec	
Bit 5	Bit 4																
0	0	75 sec															
0	1	120 sec															
1	0	180 sec															
1	1	240 sec															
6-7	Not used	Do not change these settings.															

IP Fax Switch 09 - Not used (do not change the settings)	SP No. 1-111-010
IP Fax Switch 0A - Not used (do not change the settings)	SP No. 1-111-011
IP Fax Switch 0B - Not used (do not change the settings)	SP No. 1-111-012
IP Fax Switch 0C - Not used (do not change the settings)	SP No. 1-111-013
IP Fax Switch 0D - Not used (do not change the settings)	SP No. 1-111-014
IP Fax Switch 0E - Not used (do not change the settings)	SP No. 1-111-015
IP Fax Switch 0F - Not used (do not change the settings)	SP No. 1-111-016

4.3 NCU PARAMETERS

The following tables give the RAM addresses and the parameter calculation units that the machine uses for ringing signal detection and automatic dialing. The factory settings for each country are also given. Most of these must be changed by RAM read/write (SP2-102), but some can be changed using NCU Parameter programming (SP2-103, 104 and 105); if SP2-103, 104 and 105 can be used, this will be indicated in the Remarks column. The RAM is programmed in hex code unless (BCD) is included in the Unit column.

NOTE: The following addresses describe settings for the standard NCU. Change the fourth digit from “5” to “6” (e.g. 680500 to 680600) for the settings for the first optional G3 interface unit and from “5” to “7” (e.g. 680700) for the settings for the second optional G3 interface unit.

Address	Function	Unit	Remarks																																																																																															
680500	Country/Area code for NCU parameters																																																																																																	
	Use the Hex value to program the country/area code directly into this address, or use the decimal value to program it using SP2-103-001																																																																																																	
	<table border="0"> <thead> <tr> <th>Country/Area</th> <th>Decimal</th> <th>Hex</th> <th></th> <th></th> </tr> </thead> <tbody> <tr> <td>France</td> <td>00</td> <td>00</td> <td>Hong Kong</td> <td>20 14</td> </tr> <tr> <td>Germany</td> <td>01</td> <td>01</td> <td>South Africa</td> <td>21 15</td> </tr> <tr> <td>UK</td> <td>02</td> <td>02</td> <td>Australia</td> <td>22 16</td> </tr> <tr> <td>Italy</td> <td>03</td> <td>03</td> <td>New Zealand</td> <td>23 17</td> </tr> <tr> <td>Austria</td> <td>04</td> <td>04</td> <td>Singapore</td> <td>24 18</td> </tr> <tr> <td>Belgium</td> <td>05</td> <td>05</td> <td>Malaysia</td> <td>25 19</td> </tr> <tr> <td>Denmark</td> <td>06</td> <td>06</td> <td>China</td> <td>26 1A</td> </tr> <tr> <td>Finland</td> <td>07</td> <td>07</td> <td>Taiwan</td> <td>27 1B</td> </tr> <tr> <td>Ireland</td> <td>08</td> <td>08</td> <td>Korea</td> <td>28 1C</td> </tr> <tr> <td>Norway</td> <td>09</td> <td>09</td> <td>Greece</td> <td>33 21</td> </tr> <tr> <td>Sweden</td> <td>10</td> <td>0A</td> <td>Hungary</td> <td>34 22</td> </tr> <tr> <td>Switzerland</td> <td>11</td> <td>0B</td> <td>Czech</td> <td>35 23</td> </tr> <tr> <td>Portugal</td> <td>12</td> <td>0C</td> <td>Poland</td> <td>36 24</td> </tr> <tr> <td>Holland</td> <td>13</td> <td>0D</td> <td></td> <td></td> </tr> <tr> <td>Spain</td> <td>14</td> <td>0E</td> <td></td> <td></td> </tr> <tr> <td>Israel</td> <td>15</td> <td>0F</td> <td></td> <td></td> </tr> <tr> <td>USA</td> <td>17</td> <td>11</td> <td></td> <td></td> </tr> <tr> <td>Asia</td> <td>18</td> <td>12</td> <td></td> <td></td> </tr> </tbody> </table>	Country/Area	Decimal	Hex			France	00	00	Hong Kong	20 14	Germany	01	01	South Africa	21 15	UK	02	02	Australia	22 16	Italy	03	03	New Zealand	23 17	Austria	04	04	Singapore	24 18	Belgium	05	05	Malaysia	25 19	Denmark	06	06	China	26 1A	Finland	07	07	Taiwan	27 1B	Ireland	08	08	Korea	28 1C	Norway	09	09	Greece	33 21	Sweden	10	0A	Hungary	34 22	Switzerland	11	0B	Czech	35 23	Portugal	12	0C	Poland	36 24	Holland	13	0D			Spain	14	0E			Israel	15	0F			USA	17	11			Asia	18	12				
Country/Area	Decimal	Hex																																																																																																
France	00	00	Hong Kong	20 14																																																																																														
Germany	01	01	South Africa	21 15																																																																																														
UK	02	02	Australia	22 16																																																																																														
Italy	03	03	New Zealand	23 17																																																																																														
Austria	04	04	Singapore	24 18																																																																																														
Belgium	05	05	Malaysia	25 19																																																																																														
Denmark	06	06	China	26 1A																																																																																														
Finland	07	07	Taiwan	27 1B																																																																																														
Ireland	08	08	Korea	28 1C																																																																																														
Norway	09	09	Greece	33 21																																																																																														
Sweden	10	0A	Hungary	34 22																																																																																														
Switzerland	11	0B	Czech	35 23																																																																																														
Portugal	12	0C	Poland	36 24																																																																																														
Holland	13	0D																																																																																																
Spain	14	0E																																																																																																
Israel	15	0F																																																																																																
USA	17	11																																																																																																
Asia	18	12																																																																																																
680501	Line current detection time	20 ms	Line current detection is disabled. Line current is not detected if 680501 contains FF.																																																																																															
680502	Line current wait time																																																																																																	
680503	Line current drop detect time																																																																																																	
680504	PSTN dial tone frequency upper limit (high byte)	Hz (BCD)	If both addresses contain FF(H), tone detection is disabled.																																																																																															
680505	PSTN dial tone frequency upper limit (low byte)																																																																																																	
680506	PSTN dial tone frequency lower limit (high byte)	Hz (BCD)	If both addresses contain FF(H), tone detection is disabled.																																																																																															
680507	PSTN dial tone frequency lower limit (low byte)																																																																																																	
680508	PSTN dial tone detection time	20 ms	If 680508 contains FF(H), the machine pauses for the pause time (address 68050D / 68050E). Italy: See Note 2.																																																																																															
680509	PSTN dial tone reset time (LOW)																																																																																																	
68050A	PSTN dial tone reset time (HIGH)																																																																																																	
68050B	PSTN dial tone continuous tone time																																																																																																	
68050C	PSTN dial tone permissible drop time																																																																																																	
68050D	PSTN wait interval (LOW)																																																																																																	
68050E	PSTN wait interval (HIGH)																																																																																																	
68050F	PSTN ring-back tone detection time	20 ms	Detection is disabled if this contains FF.																																																																																															
680510	PSTN ring-back tone off detection time	20 ms																																																																																																

Address	Function	Unit	Remarks
680511	PSTN detection time for silent period after ring-back tone detected (LOW)	20 ms	
680512	PSTN detection time for silent period after ring-back tone detected (HIGH)	20 ms	
680513	PSTN busy tone frequency upper limit (high byte)	Hz (BCD)	If both addresses contain FF(H), tone detection is disabled.
680514	PSTN busy tone frequency upper limit (low byte)		
680515	PSTN busy tone frequency lower limit (high byte)	Hz (BCD)	If both addresses contain FF(H), tone detection is disabled.
680516	PSTN busy tone frequency lower limit (low byte)		
680517	PABX dial tone frequency upper limit (high byte)	Hz (BCD)	If both addresses contain FF(H), tone detection is disabled.
680518	PABX dial tone frequency upper limit (low byte)		
680519	PABX dial tone frequency lower limit (high byte)	Hz (BCD)	If both addresses contain FF(H), tone detection is disabled.
68051A	PABX dial tone frequency lower limit (low byte)		
68051B	PABX dial tone detection time	20 ms	If 68051B contains FF, the machine pauses for the pause time (680520 / 680521).
68051C	PABX dial tone reset time (LOW)		
68051D	PABX dial tone reset time (HIGH)		
68051E	PABX dial tone continuous tone time		
68051F	PABX dial tone permissible drop time		
680520	PABX wait interval (LOW)		
680521	PABX wait interval (HIGH)		
680522	PABX ringback tone detection time	20 ms	If both addresses contain FF(H), tone detection is disabled.
680523	PABX ringback tone off detection time	20 ms	
680524	PABX detection time for silent period after ringback tone detected (LOW)	20 ms	If both addresses contain FF(H), tone detection is disabled.
680525	PABX detection time for silent period after ringback tone detected (HIGH)	20 ms	
680526	PABX busy tone frequency upper limit (high byte)	Hz (BCD)	If both addresses contain FF(H), tone detection is disabled.
680527	PABX busy tone frequency upper limit (low byte)		
680528	PABX busy tone frequency lower limit (high byte)	Hz (BCD)	If both addresses contain FF(H), tone detection is disabled.
680529	PABX busy tone frequency lower limit (low byte)		
68052A	Busy tone ON time: range 1	20 ms	
68052B	Busy tone OFF time: range 1		
68052C	Busy tone ON time: range 2		
68052D	Busy tone OFF time: range 2		
68052E	Busy tone ON time: range 3		

Address	Function	Unit	Remarks
68052F	Busy tone OFF time: range 3	20 ms	
680530	Busy tone ON time: range 4		
680531	Busy tone OFF time: range 4		
680532	Busy tone continuous tone detection time		
680533	Busy tone signal state time tolerance for all ranges, and number of cycles required for detection (a setting of 4 cycles means that ON-OFF-ON or OFF-ON-OFF must be detected twice). Tolerance (\pm) Bit 1 0 0 0 75% Bits 2 and 3 must always 0 1 50% be kept at 0. 1 0 25% 1 1 12.5% Bits 7, 6, 5, 4 - number of cycles required for cadence detection		
680534	International dial tone frequency upper limit (high byte)	Hz (BCD)	If both addresses contain FF(H), tone detection is disabled.
680535	International dial tone frequency upper limit (low byte)		
680536	International dial tone frequency lower limit (high byte)	Hz (BCD)	If both addresses contain FF(H), tone detection is disabled.
680537	International dial tone frequency lower limit (low byte)		
680538	International dial tone detection time	20 ms	If 680538 contains FF, the machine pauses for the pause time (68053D / 68053E). Belgium: See Note 2.
680539	International dial tone reset time (LOW)		
68053A	International dial tone reset time (HIGH)		
68053B	International dial tone continuous tone time		
68053C	International dial tone permissible drop time		
68053D	International dial wait interval (LOW)		
68053E	International dial wait interval (HIGH)		
68053F	Country dial tone upper frequency limit (HIGH)	Hz (BCD)	If both addresses contain FF(H), tone detection is disabled.
680540	Country dial tone upper frequency limit (LOW)		
680541	Country dial tone lower frequency limit (HIGH)		If both addresses contain FF(H), tone detection is disabled.
680542	Country dial tone lower frequency limit (LOW)		
680543	Country dial tone detection time	20 ms	If 680543 contains FF, the machine pauses for the pause time (680548 / 680549).
680544	Country dial tone reset time (LOW)		
680545	Country dial tone reset time (HIGH)		
680546	Country dial tone continuous tone time		

Address	Function	Unit	Remarks
680547	Country dial tone permissible drop time	20 ms	
680548	Country dial wait interval (LOW)		
680549	Country dial wait interval (HIGH)		
68054A	Time between opening or closing the DO relay and opening the OHDl relay	1 ms	See Notes 3, 6 and 8. SP2-103-012 (parameter 11).
68054B	Break time for pulse dialing	1 ms	See Note 3. SP2-103-013 (parameter 12).
68054C	Make time for pulse dialing	1 ms	See Note 3. SP2-103-014 (parameter 13).
68054D	Time between final OHDl relay closure and DO relay opening or closing	1 ms	See Notes 3, 6 and 8. SP2-103-015 (parameter 14). This parameter is only valid in Europe.
68054E	Minimum pause between dialed digits (pulse dial mode)	20 ms	See Note 3 and 8. SP2-103-016 (parameter 15).
68054F	Time waited when a pause is entered at the operation panel		SP2-103-017 (parameter 16). See Note 3.
680550	DTMF tone on time	1 ms	SP2-103-018 (parameter 17).
680551	DTMF tone off time		SP2-103-019 (parameter 18).
680552	Tone attenuation level of DTMF signals while dialing	-N x 0.5 -3.5 dBm	SP2-103-020 (parameter 19). See Note 5.
680553	Tone attenuation value difference between high frequency tone and low frequency tone in DTMF signals	-dBm x 0.5	SP2-103-021 (parameter 20). The setting must be less than -5dBm, and should not exceed the setting at 680552h above. See Note 5.
680554	PSTN: DTMF tone attenuation level after dialling	-N x 0.5 -3.5 dBm	SP2-103-022 (parameter 21). See Note 5.
680555	ISDN: DTMF tone attenuation level after dialling	-dBm x 0.5	See Note 5
680556	Not used		Do not change the settings.
680557	Time between 68054Dh (NCU parameter 14) and 68054Eh (NCU parameter 15)	1 ms	This parameter takes effect when the country code is set to France.
680558	Not used		Do not change the setting.
680559	Grounding time (ground start mode)	20 ms	The Gs relay is closed for this interval.
68055A	Break time (flash start mode)	1 ms	The OHDl relay is open for this interval.

Address	Function	Unit	Remarks
68055B	International dial access code (High)	BCD	For a code of 100: 68055B - F1 68055C - 00
68055C	International dial access code (Low)		
68055D	PSTN access pause time	20 ms	This time is waited for each pause input after the PSTN access code. If this address contains FF[H], the pause time stored in address 68054F is used. Do not set a number more than 7 in the UK.
68055E	Progress tone detection level, and cadence detection enable flags	Bit 7 Bit 6 Bit 5 dBm 0 0 0 -25.0 0 0 1 -35.0 0 1 0 -30.0 1 0 0 -40.0 1 1 0 -49.0 Bits 2, 0 - See Note 2.	
68055F to 680564	Not used		Do not change the settings.
680565	Long distance call prefix (HIGH)	BCD	For a code of 0: 680565 - FF 680566 - F0
680566	Long distance call prefix (LOW)	BCD	
680567 to 680571	Not used		Do not change the settings.
680572	Acceptable ringing signal frequency: range 1, upper limit	1000/ N (Hz).	SP2-103-003 (parameter 02).
680573	Acceptable ringing signal frequency: range 1, lower limit		SP2-103-004 (parameter 03).
680574	Acceptable ringing signal frequency: range 2, upper limit		SP2-103-005 (parameter 04).
680575	Acceptable ringing signal frequency: range 2, lower limit		SP2-103-006 (parameter 05).
680576	Number of rings until a call is detected	1	SP2-103-007 (parameter 06). The setting must not be zero.
680577	Minimum required length of the first ring	20 ms	See Note 4. SP2-103-008 (parameter 07).
680578	Minimum required length of the second and subsequent rings	20 ms	SP2-103-009 (parameter 08).
680579	Ringing signal detection reset time (LOW)	20 ms	SP2-103-010 (parameter 09).
68057A	Ringing signal detection reset time (HIGH)		SP2-103-011 (parameter 10).

Address	Function	Unit	Remarks
68057B to 680580	Not used		Do not change the settings.
680581	Interval between dialing the last digit and switching the Oh relay over to the external telephone when dialing from the operation panel in handset mode.	20 ms	Factory setting: 500 ms
680582	Bits 0 and 1 - Handset off-hook detection time Bit 1 0 Setting 0 0 200 ms 0 1 800 ms Other Not used Bits 2 and 3 - Handset on-hook detection time Bit 3 2 Setting 0 0 200 ms 0 1 800 ms Other Not used Bits 4 to 7 - Not used		
680583 to 6805A0	Not used		Do not change the settings.
6805A1	Acceptable CED detection frequency upper limit (high byte)	BCD (Hz)	If both addresses contain FF(H), tone detection is disabled.
6805A2	Acceptable CED detection frequency upper limit (low byte)		
6805A3	Acceptable CED detection frequency lower limit (high byte)	BCD (Hz)	If both addresses contain FF(H), tone detection is disabled.
6805A4	Acceptable CED detection frequency lower limit (low byte)		
6805A5	CED detection time	20 ms ± 20 ms	Factory setting: 200 ms
6805A6	Acceptable CNG detection frequency upper limit (high byte)	BCD (Hz)	If both addresses contain FF(H), tone detection is disabled.
6805A7	Acceptable CNG detection frequency upper limit (low byte)		
6805A8	Acceptable CNG detection frequency lower limit (high byte)	BCD (Hz)	If both addresses contain FF(H), tone detection is disabled.
6805A9	Acceptable CNG detection frequency lower limit (low byte)		
6805AA	Not used		Do not change the setting.
6805AB	CNG on time	20 ms	Factory setting: 500 ms
6805AC	CNG off time	20 ms	Factory setting: 200 ms
6805AD	Number of CNG cycles required for detection		The data is coded in the same way as address 680533.
6805AE	Not used		Do not change the settings.

Address	Function	Unit	Remarks
6805AF	Acceptable AI short protocol tone (800Hz) detection frequency upper limit (high byte)	Hz (BCD)	If both addresses contain FF(H), tone detection is disabled.
6805B0	Acceptable AI short protocol tone (800Hz) detection frequency upper limit (low byte)		
6805B1	Acceptable AI short protocol tone (800Hz) detection frequency lower limit (high byte)	Hz(BCD)	If both addresses contain FF(H), tone detection is disabled.
6805B2	Acceptable AI short protocol tone (800Hz) detection frequency lower limit (low byte)		
6805B3	Detection time for 800 Hz AI short protocol tone	20 ms	Factory setting: 360 ms
6805B4	PSTN: Tx level from the modem	-N – 3 dBm	SP2-103-002 (parameter 01).
6805B5	PSTN: 1100 Hz tone transmission level	- N 6805B4 - 0.5N 6805B5 –3.5 (dB) See Note 7.	
6805B6	PSTN: 2100 Hz tone transmission level	- N6805B4 - 0.5N 6805B6 –3 (dB) See Note 7.	
6805B7	PABX: Tx level from the modem	- dBm	
6805B8	PABX: 1100 Hz tone transmission level	- N 6805B7 - 0.5N 6805B8 (dB)	
6805B9	PABX: 2100 Hz tone transmission level	- N 6805B7 - 0.5N 6805B9 (dB)	
6805BD	Modem turn-on level (incoming signal detection level)	-37-0.5N (dBm)	
6805BE to 6805C6	Not used		Do not change the settings.
6805C7	Bits 0 to 3 – Not used. Bit 4 – V.34 protocol dump 0 : Simple, 1 : Detailed (default) Bits 5 to 7 – Not used.		
6805C8 to 6805D9	Not used		Do not change the settings.
6805DA	T.30 T1 timer	1 s	
6805E0 bit 3	Maximum wait time for post message	0 : 12 s 1 : 30 s	1 : Maximum wait time for post message (EOP/EOM/MPS) can be changed to 30 s. Change this bit to “1” if communication errors occur frequently during V.17 reception.

NOTES

1. If a setting is not required, store FF in the address.
2. Italy and Belgium only

RAM address 68055E: the lower four bits have the following meaning.

Bit 2 - 1: International dial tone cadence detection enabled (Belgium)

Bit 1 - Not used

Bit 0 - 1: PSTN dial tone cadence detection enabled (Italy)

If bit 0 or bit 2 is set to 1, the functions of the following RAM addresses are changed.

680508 (if bit 0 = 1) or 680538 (if bit 2 = 1): tolerance for on or off state duration (%), and number of cycles required for detection, coded as in address 680533.

68050B (if bit 0 = 1) or 68053B (if bit 2 = 1): on time, hex code (unit = 20 ms)

68050C (if bit 0 = 1) or 68053C (if bit 2 = 1): off time, hex code (unit = 20 ms)

3. Pulse dial parameters (addresses 68054A to 68054F) are the values for 10 pps. If 20 pps is used, the machine automatically compensates.
4. The first ring may not be detected until 1 to 2.5 wavelengths after the time specified by this parameter.
5. The calculated level must be between 0 and 10.
The attenuation levels calculated from RAM data are:
High frequency tone: $-0.5 \times N_{680552/680554} - 3.5$ dBm
 $-0.5 \times N_{680555}$ dBm
Low frequency tone: $-0.5 \times (N_{680552/680554} + N_{680553}) - 3.5$ dBm
 $-0.5 \times (N_{680555} + N_{680553})$ dBm
NOTE: N_{680552} , for example, means the value stored in address 680552(H)
6. 68054A: Europe - Between Ds opening and Di opening, France - Between Ds closing and Di opening
68054D: Europe - Between Ds closing and Di closing, France - Between Ds opening and Di closing
7. Tone signals which frequency is lower than 1500Hz (e.g., 800Hz tone for AI short protocol) refer to the setting at 6805B5h. Tones which frequency is higher than 1500Hz refer to the setting at 6805B6h.
8. 68054A, 68054D, 68054E: The actual inter-digit pause (pulse dial mode) is the sum of the period specified by the RAM addresses 68054A, 68054D, and 68054E.

4.4 DEDICATED TRANSMISSION PARAMETERS

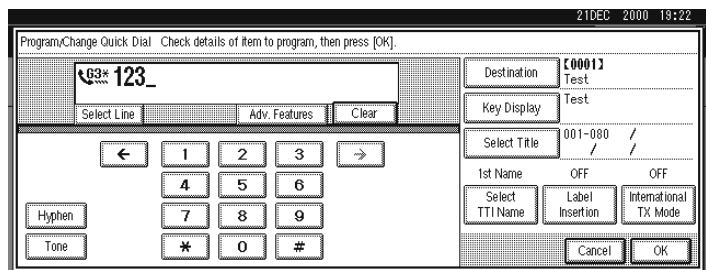
Each Quick Dial Key and Speed Dial Code has eight bytes of programmable parameters allocated to it. If transmissions to a particular machine often experience problems, store that terminal's fax number as a Quick Dial or Speed Dial, and adjust the parameters allocated to that number.

The programming procedure will be explained first. Then, the eight bytes will be described.

4.4.1 PROGRAMMING PROCEDURE

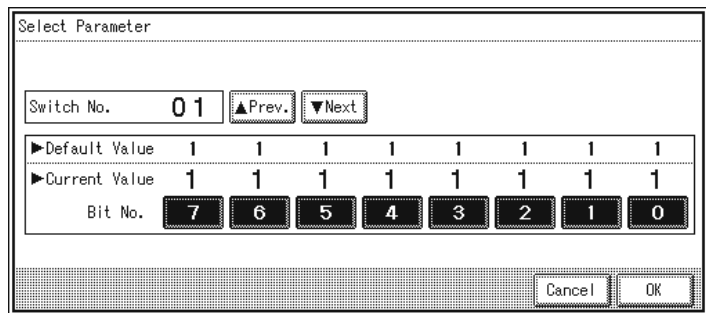
1. Set the bit 0 of System Bit Switch 00 to 1.
2. Press "Dest. Management" in the facsimile standby mode.
3. Press "Program/Change/Delete Quick Dial".
4. Select the destination key you want to program.

5. When the programmed dial number is displayed, press "Start".
Make sure that the LED of the Start button is lit as green.



B712S104.WMF

6. The settings for the switch 01 are now displayed.
Press the bit number that you wish to change.



B712S105.WMF

7. To scroll through the parameter switches, either:
8. Select the next switch: press "Next"
or
Select the previous switch: "Prev." until the correct switch is displayed.
Then go back to step 6.
9. After the setting is changed, press "OK".
10. After finishing, reset bit 0 of System Bit Switch 00 to 0.

4.4.2 PARAMETERS

The initial settings of the following parameters are all FF(H) - all the parameters are disabled.

Switch 01	
FUNCTION AND COMMENTS	
ITU-T T1 time (for PSTN G3 mode) If the connection time to a particular terminal is longer than the NCU parameter setting, adjust this byte. The T1 time is the value stored in this byte (in hex code), multiplied by 1 second. Range: 0 to 120 s (00h to 78h) FFh - The local NCU parameter factory setting is used. Do not program a value between 79h and FEh.	

Switch 02		
No	FUNCTION	COMMENTS
0 to 4	Tx level	If communication with a particular remote terminal often contains errors, the signal level may be inappropriate. Adjust the Tx level for communications with that terminal until the results are better. If the setting is "Disabled", the NCU parameter 01 setting is used. Note: Do not use settings other than listed on the left.
	Bit 4 3 2 1 0 Setting	
	0 0 0 0 0 0	
	0 0 0 0 1 -1	
	0 0 0 1 0 -2	
	0 0 0 1 1 -3	
	0 0 1 0 0 -4	
⋮		
0 1 1 1 1 -15		
1 1 1 1 1 Disabled		
5 to 7	Cable equalizer	Use a higher setting if there is signal loss at higher frequencies because of the length of wire between the modem and the telephone exchange when calling the number stored in this Quick/Speed Dial. Also, try using the cable equalizer if one or more of the following symptoms occurs. <ul style="list-style-type: none"> • Communication error with error codes such as 0-20, 0-23, etc. • Modem rate fallback occurs frequently. Note: Do not use settings other than listed on the left. If the setting is "Disabled", the bit switch setting is used.
	Bit 7 6 5 Setting	
	0 0 0 None	
	0 0 1 Low	
	0 1 0 Medium	
0 1 1 High		
1 1 1 Disabled		

Service Tables

Switch 03				
No	FUNCTION			COMMENTS
0 to 3	Initial Tx modem rate Bit3 2 1 0 Setting (bps)			If training with a particular remote terminal always takes too long, the initial modem rate may be too high. Reduce the initial Tx modem rate using these bits. For the settings 14.4 or kbps slower, Switch 04 bit 4 must be changed to 0. Note: Do not use settings other than listed on the left. If the setting is "Disabled", the bit switch setting is used.
	0 0 0 0	Not used		
	0 0 0 1	2,400		
	0 0 1 0	4,800		
	0 0 1 1	7,200		
	0 1 0 0	9,600		
	0 1 0 1	12,000		
	0 1 1 0	14,400		
	0 1 1 1	16,800		
	1 0 0 0	19,200		
	1 0 0 1	21,600		
	1 0 1 0	24,000		
	1 0 1 1	26,400		
	1 1 0 0	28,800		
	1 1 0 1	31,200		
	1 1 1 0	33,600		
	1 1 1 1	Disabled		
	Other settings: Not used			
4-5	Not used			Do not change the settings.
6	AI short protocol 0: Off 1: Disabled			Refer to Appendix B in the Group 3 Facsimile Manual for details about AI Short Protocol. If the setting is "Disabled", the bit switch setting is used.
7	Not used			Do not change the settings.

Switch 04				
No	FUNCTION			COMMENTS
0 1	Inch-mm conversion before tx Bit 1 Bit 0 Setting			The machine uses inch-based resolutions for scanning. If "inch only" is selected, the printed copy may be slightly distorted at the other end if that machine uses mm-based resolutions. If the setting is "Disabled", the bit switch setting is used.
	0 0	Inch-mm conversion available		
	0 1	Inch only		
	1 0	Not used		
	1 1	Disabled		
2 to 3	DIS/NSF detection method Bit 3 Bit 2 Setting			(0, 1): Use this setting if echoes on the line are interfering with the set-up protocol at the start of transmission. The machine will then wait for the second DIS or NSF before sending DCS or NSS. If the setting is "Disabled", the bit switch setting is used.
	0 0	First DIS or NSF		
	0 1	Second DIS or NSF		
	1 0	Not used		
	1 1	Disabled		

Switch 04																		
No	FUNCTION		COMMENTS															
4	V.8 protocol 0: Off 1: Disabled		If transmissions to a specific destination always end at a lower modem rate (14,400 bps or lower), disable V.8 protocol so as not to use V.34 protocol. 0: V.34 communication will not be possible. If the setting is "Disabled", the bit switch setting is used.															
5	Compression modes available in transmit mode 0: MH only 1: Disabled		This bit determines the capabilities that are informed to the other terminal during transmission. If the setting is "Disabled", the bit switch setting is used.															
6 7	ECM during transmission	<table border="1"> <thead> <tr> <th>Bit 7</th> <th>Bit 6</th> <th>Setting</th> </tr> </thead> <tbody> <tr> <td>0</td> <td>0</td> <td>Off</td> </tr> <tr> <td>0</td> <td>1</td> <td>On</td> </tr> <tr> <td>1</td> <td>0</td> <td>Not used</td> </tr> <tr> <td>1</td> <td>1</td> <td>Disabled</td> </tr> </tbody> </table>	Bit 7	Bit 6	Setting	0	0	Off	0	1	On	1	0	Not used	1	1	Disabled	For example, if ECM is switched on but is not wanted when sending to a particular terminal, use the (0, 0) setting. Note that V.8/V.34 protocol and JBIG compression are automatically disabled if ECM is disabled. If the setting is "Disabled", the bit switch setting is used.
Bit 7	Bit 6	Setting																
0	0	Off																
0	1	On																
1	0	Not used																
1	1	Disabled																

Switch 05 - Not used (do not change the settings)
Switch 06 - Not used (do not change the settings)
Switch 07 - Not used (do not change the settings)
Switch 08 - Not used (do not change the settings)
Switch 09 - Not used (do not change the settings)
Switch 10 - Not used (do not change the settings)

Service
Tables

4.5 SERVICE RAM ADDRESSES

CAUTION

Do not change the settings which are marked as "Not used" or "Read only."

680001 to 680004(H) - ROM version (Read only)

680001(H) - Revision number (BCD)

680002(H) - Year (BCD)

680003(H) - Month (BCD)

680004(H) - Day (BCD)

680006 to 680015(H) - Machine's serial number (16 digits - ASCII)

680018(H) - Total program checksum (low)

680019(H) - Total program checksum (high)

680020 to 68003F(H) - System bit switches

680050 to 68005F(H) - Printer bit switches

680060 to 68007F(H) - Communication bit switches

680080 to 68008F(H) - G3 bit switches

680090 to 68009F(H) - G3-2 bit switches

6800A0 to 6800AF(H) - G3-3 bit switches

6800D0(H) - User parameter switch 00 (SWUER_00) : Not used

6800D1(H) - User parameter switch 01 (SWUSR_01) : Not used

6800D2(H) - User parameter switch 02 (SWUSR_02)

Bit 0: Forwarding mark printing on forwarded messages 0: Disabled, 1: Enabled

Bit 1: Center mark printing on received copies

(This switch is not printed on the user parameter list.)

0: Disabled, 1: Enabled

Bit 2: Reception time printing

(This switch is not printed on the user parameter list.)

0: Disabled, 1: Enabled

Bit 3: TSI print on received messages 0: Disabled, 1: Enabled

Bit 4: Checkered mark printing

(This switch is not printed on the user parameter list.)

0: Disabled, 1: Enabled

Bit 5: CIL printing (G4) 0: Disabled, 1: Enabled

Bit 6: TID printing (G4) 0: Disabled, 1: Enabled

Bit 7: Not used

6800D3(H) - User parameter switch 03 (SWUSR_03: Automatic report printout)

Bit 0: Transmission result report (memory transmissions) 0: Off, 1: On

Bit 1: Not used

Bit 2: Memory storage report 0: Off, 1: On

Bit 3: Polling reserve report (polling reception) 0: Off, 1: On

Bit 4: Polling result report (polling reception) 0: Off, 1: On

Bit 5: Transmission result report (immediate transmissions) 0: Off, 1: On

Bit 6: Polling clear report 0: Off, 1: On

Bit 7: Journal 0: Off, 1: On

6800D4(H) - User parameter switch 04 (SWUSR_04: Automatic report printout)

Bit 0: Automatic confidential reception report output 0: Off, 1: On

Bit 1: Automatic communication failure report and transfer result report output
0: Off, 1: On

Bits 2 to 3: Not used

Bit 4: Indicates the parties 0: Not indicated, 1: Indicated

Bit 5: Include sender's name on reports 0: Off, 1: On

Bit 6: Not used

Bit 7: Inclusion of a sample image on reports 0: Off, 1: On

6800D5(H) - User parameter switch 05 (SWUSR_05)

Bit 0: Substitute reception when the base copier is in an SC condition
0: Enabled, 1: Disabled

Bits 1 and 2: Condition for substitute rx when the machine cannot print messages
(Paper end, toner end, jam, and during night mode)

Bit 2 1 Setting

0 0 The machine receives all the fax messages.

0 1 The machine receives the fax messages with RTI or CSI.

1 0 The machine receives the fax messages with the same ID code.

1 1 The machine does not receive anything.

Bit 3: Not used

Bit 4: Not used

Bit 5: Just size printing 0: Off, 1: On

Bit 6: Not used

Bit 7: Add paper display when a cassette is empty 0: Off, 1: On

6800D6(H) - User parameter switch 06 (SWUSR_06)

Bits 0 to 5: Not used

Bit 6: Scan sequence in Book transmission

0: Left page then right page, 1: Right page then left page

Bit 7: Not used

6800D7(H) - User parameter switch 07 (SWUSR_07)

Bits 0 and 1: Not used

Bit 2: Parallel memory transmission 0: Off, 1: On

Bits 3 to 7: Not used

6800D8(H) - User parameter switch 08 (SWUSR_08)

Bits 0 and 1: Not used.

Bit 2: Authorized reception

0: Only faxes from senders whose RTIs/CSIs are specified for this feature are accepted.

1: Only faxes from senders whose RTIs/CSIs are not specified for this feature are accepted.

Bits 3 to 7: Not used.

6800D9(H) - User parameter switch 09 (SWUSR_09) : Not used**6800DA(H) - User parameter switch 10 (SWUSR_0A)**

Bit 0: Not used

Bit 1: 2 into 1 0: Off, 1: On

Bit 2: Not used

Bit 3: Page reduction 0: Off, 1: On

Bit 4: Not used

Bit 5: Reception file printout 0: Disabled, 1: Enabled

Bits 6 and 7: Not used

6800DB(H) - User parameter switch 11 (SWUSR_0B)

Bit 0: Not used

Bit 1: Not used

Bits 2 to 5: Not used

Bit 6: Printout of messages received while acting as a forwarding station

0: Off, 1: On

Bit 7: Polling Standby duration 0: Once, 1: No limit

6800DC(H) - User parameter switch 12 (SWUSR_0C): Not used

6800DD(H) - User parameter switch 13 (SWUSR_0D): Not used

6800DE(H) - User parameter switch 14 (SWUSR_0E)

Bit 0: Message printout while the machine is in Night Printing mode 0: On, 1: Off

Bit 1: Maximum document length detection

0: Double letter, 1: Longer than double-letter (well log) – up to 1,200 mm

Bit 2: Batch transmission 0: Off, 1: On

Bit 3: Fax mode settings, such as resolution, before a mode key (Copy/Fax/Printer/Scanner) is pressed

0: Not cleared, 1: Cleared

Bits 4 to 6: Not used

Bit 7: Manual service call (sends the system parameter list to the service station)

0: Off, 1: On

6800DF(H) - User parameter switch 15 (SWUSR_0F)

(This switch is not printed on the user parameter list.)

Bits 0, 1 and 2: Cassette for fax printout

Bit	2	1	0	Setting
	0	0	1	1st paper feed station
	0	1	0	2nd paper feed station
	0	1	1	3rd paper feed station
	1	0	0	4th paper feed station
	1	0	1	LCT

Other settings Not used

Bits 3 and 4: Not used

Bit 5: Using the cassette specified by bits 0, 1 and 2 above only 0: On, 1: Off

Bits 6 and 7: Not used

6800E0(H) – User parameter switch 16 (SWUSR_10)

(This switch is not printed on the user parameter list.)

Bits 0 and 1: Not used

Bit 2: Paper size selection priority for an A4 size fax message when A4/LT size paper is not available.

0: A3 has priority, 1: B4 has priority

Bits 3 to 7: Not used

6800E1(H) – User parameter switch 17 (SWUSR_11)

Bits 0 and 1: Not used

Bit 2: Inclusion of the “Add” button when a sequence of Quick/Speed dials is selected for broadcasting

0: Not needed, 1: Needed

Bits 3 to 6: Not used

Bit 7: Press “Start” key without an original when using the on hook dial or the external telephone,

0: displays “Cannot detect original size”.

1: Receives fax messages.

6800E2(H) - User parameter switch 18 (SWUSR_12)

Bit 0: TTI date 0: Off, 1: On

Bit 1: TTI sender 0: Off, 1: On

Bit 2: TTI file number 0: Off, 1: On

Bit 3: TTI page number 0: Off, 1: On

Bit 4 to 7: Not used

6800E3(H) - User parameter switch 19 (SWUSR_13)

Bit 0: Offset sort function for the fax (only using the shift tray on the 1,000 sheet finisher)

0: Disabled, 1: Enabled

Bit 1: Journal format

0: The Journal is separated into transmissions and receptions

1: The Journal is separated into G3-1, G3-2, G3-3 and G4 communications

Bit 2: Action when the paper cassette that was selected by the specified cassette selection feature becomes empty.

(This switch is not printed on the user parameter list.)

0: The machine will not print any received files until paper is added.

1: The machine will use other cassettes to print received files that are not specified by this feature.

Bit 3: 90° image rotation during B5 portrait Tx

(This switch is not printed on the user parameter list.)

0: Off, 1: On

Bit 4: Reduction of sample images on reports to 50% in the main scan and sub-scan directions. (This switch is not printed on the user parameter list.)

0: Technician adjustment (printer switch 0E bits 3 and 4), 1: 50% reduction

Bit 5: Use of A5 size paper for reports

(This switch is not printed on the user parameter list.)

0: Off, 1: On

Bits 6 and 7: Not used

6800E4(H) - User parameter switch 20 (SWUSR_14)

Bit 0: Automatic printing of the PC fax (LAN fax) error report

0: Off, 1: On

Bit 1: Reprint the documents fail to print from PC fax (LAN fax) driver

0: Off, 1: On

Bits 2 to 5: Store documents in memory which could not be printed from PC fax (LAN fax) driver

Bit	5	4	3	2	Setting
	0	0	0	0	0 min.
	0	0	0	1	1 min.
			↓		↓
	1	1	1	0	14 min.
	1	1	1	1	15 min.

Bits 6 and 7: Not used.

6800E5(H) - User parameter switch 21 (SWUSR_15)

Bit 0: Print results of sending reception notice request message

0: Disabled (print only when error occurs), 1: Enabled

Bit 1: Respond to e-mail reception acknowledgment request

0: Disabled, 1: Enabled

Bit 2: Not used

Bit 3: File format for forwarded folders 0: TIFF, 1:PDF

Bit 4: Transmit Journal by E-mail 0: Disabled, 1: Enabled

Bit 5: Not used

Bit 6: Network error display 0: Displayed, 1: Not displayed

Bit 7: Transmit error mail notification 0: Enabled, 1: Disabled

6800E6(H) - User parameter switch 22 (SWUSR_16)

(This switch is not printed on the user parameter list.)

Bit 0: Dial tone detection (PSTN 1) 0: Disabled, 1: Enabled

Bit 1: Dial tone detection (PSTN 2) 0: Disabled, 1: Enabled

Bit 2: Dial tone detection (PSTN 3) 0: Disabled, 1: Enabled

Bits 3 to 7: Not used

6800E7(H) - User parameter switch 23 (SWUSR_17) : Not used**6800E8(H) - User parameter switch 24 (SWUSR_18)**

Bits 0 and 1: File retention time (Cross reference: System switch 02 bit 4)

Bit	1	0	Setting
	0	0	File retention impossible
	0	1	24 hours
	1	0	File retention impossible
	1	1	72 hours

Bits 2 to 7: Not used

6800E9(H) - User parameter switch 25 (SWUSR_19)

Bit 0 and 1: Not used

Bit 2: Auto switching 0: Fax, 1: Telephone

Bit 3: Not used

Bit 4: RDS operation

0: Not acceptable

1: Acceptable for the limit specified by system switch 03

NOTE: This bit is only effective when RDS operation can be selected by the user (see system switch 02).

Bits 5 to 7: Not used

**6800EA(H) to 6800EF(H) - User parameter switch 26 to 31 (SWUSR_1A to 1F)
: Not used****6800F0(H) - User parameter switch 32 (SWUSR_20)**

Bit 0: Quotation priority for a destination when there is no destination of the specified type

0: Paper output priority

Priority order

1. IP-fax destination, 2. Fax Number, 3. E-mail address, 4. Folder

1: Electric putout order

Priority order

1. E-mail address, 2. Folder, 3. IP-fax destination, 4. Fax number

Bits 1 to 7: Not used

6800F1(H) - User parameter switch 33 (SWUSR_21): Not used**6800F2(H) - User parameter switch 34 (SWUSR_22)**

Bit 0: SIP server used with IP-Fax 0: Disabled, 1: Enabled

Bit 1: Gatekeeper server used with IP-Fax 0: Disabled, 1: Enabled

680100 to 68010F(H) - G4 Parameter Switches**680110 to 68012F(H) - G4 Internal Switches**

680170 to 68017F(H) - IFAX Switches
 680180 to 68018F(H) - IP-FAX Switches

680190 to 6801AF(H) - Service station's fax number (SP3-101)

6801B0 to 6801B0(H) - Own fax PABX extension number

6801BA to 6801C3(H) - Own fax number (PSTN)

6801C4 to 6801D7(H) - Own fax number (ISDN G4)

6801D8 to 6801E3(H) - The first subscriber number (ISDN G3)

6801E4 to 6801EF(H) - The second subscriber number (ISDN G3)

6801F0 to 6801FB(H) - The first subscriber number (ISDN G4)

6801FC to 680207(H) - The second subscriber number (ISDN G4)

680208 to 68021B(H) - PSTN-1 RTI (Max. 20 characters - ASCII) - See the following note.

68021C to 68022F(H) - PSTN-2 RTI (Max. 20 characters - ASCII) - See the following note.

680230 to 680246(H) - PSTN-3 RTI (Max. 20 characters - ASCII) - See the following note.

680247 to 680286(H) - TTI 1 (Max. 64 characters - ASCII) - See the following note.

680287 to 680296(H) - TTI 2 (Max. 64 characters - ASCII) - See the following note.

680297 to 680306(H) - TTI 3 (Max. 64 characters - ASCII) - See the following note.

680307 to 68031A(H) - PSTN-1 CSI (Max. 20 characters - ASCII)

68031B to 68032E(H) - PSTN-2 CSI (Max.20 characters - ASCII)

68032F to 680342(H) - PSTN-3 CSI (Max.20 characters - ASCII)

680343(H) - Number of PSTN-1 CSI characters (Hex)

680344(H) - Number of PSTN-2 CSI characters (Hex)

680345(H) - Number of PSTN-3 CSI characters (Hex)-

NOTE: If the number of characters is less than the maximum (20 for RTI, 64 for TTI), add a stop code (FF[H]) after the last character.

680380 to 680387(H) - Last power off time (Read only)

680380(H) - 01(H) - 24-hour clock, 00(H) - 12-hour clock (AM),
 02(H) - 12-hour clock (PM)

680381(H) - Year (BCD)

680382(H) - Month (BCD)

680383(H) - Day (BCD)

680384(H) - Hour

680385(H) - Minute

680386(H) - Second

680387(H) - 00: Monday, 01: Tuesday, 02: Wednesday, , 06: Sunday

680394(H) - Optional equipment (Read only – Do not change the settings)

Bit 0: Page Memory 0: Not installed, 1: Installed

Bit 1: SAF Memory 0: Not installed, 1: Installed

Bits 2 to 7; Not used

680395(H) - Optional equipment (Read only – Do not change the settings)

Bits 0 to 3: Not used

Bit 4: G3-2 0: Not installed, 1: Installed

Bit 5: G3-3 0: Not installed, 1: Installed

Bit 6 and 7: Not used

680406 to 68040A – Option G3 board (G3-2) ROM information (Read only)

680406(H) - Suffix (BCD)
 680407(H) - Version (BCD)
 680408(H) - Year (BCD)
 680409(H) - Month (BCD)
 68040A(H) - Day (BCD)

68040B to 68040F – Option G3 board (G3-3) ROM information (Read only)

68040B(H) - Suffix (BCD)
 68040C(H) - Version (BCD)
 68040D(H) - Year (BCD)
 68040E(H) - Month (BCD)
 68040F(H) - Day (BCD)

680410(H) - G3-1 Modem ROM version (Read only)

680412(H) - G3-2 Modem ROM version (Read only)

680414(H) - G3-3 Modem ROM version (Read only)

680420(H) - Number of multiple sets print (Read only)

680476(H) - Time for economy transmission (hour in 24h clock format - BCD)

680477(H) - Time for economy transmission (minute - BCD)

680492(H) - Transmission monitor volume 00 - 07(H)

680493(H) - Reception monitor volume 00 - 07(H)

680494(H) - On-hook monitor volume 00 - 07(H)

680495(H) - Dialing monitor volume 00 - 07(H)

680496(H) - Buzzer volume 00 - 07(H)

680497(H) - Beeper volume 00 - 07(H)

69ED04 to 69F003(H) - SIP server address (Read only)

69ED04(H) - Proxy server - Main (Max. 128 characters - ASCII)

69ED84(H) - Proxy server - Sub (Max. 128 characters - ASCII)

69EE04(H) - Redirect server - Main (Max. 128 characters - ASCII)

69EE04(H) - Redirect server - Sub (Max. 128 characters - ASCII)

69EF04(H) - Registrar server - Main (Max. 128 characters - ASCII)

69EF04(H) - Registrar server - Sub (Max. 128 characters - ASCII)

69F004(H) - Gatekeeper server address - Main (Max. 128 characters - ASCII)

69F084(H) - Gatekeeper server address - Sub (Max. 128 characters - ASCII)

69F104(H) - Arias Number (Max. 128 characters - ASCII)

69F184(H) - SIP user name (Max. 128 characters - ASCII)

69F204(H) - Gateway address information (Max. 128 characters - ASCII)

6A0DC0(H) - Stand-by port number for H.232 connection

6A0DC2(H) - Stand-by port number for SIP connection

6A0DC4(H) - RAS port number

6A0DC6(H) - Gatekeeper port number

6A0DC8(H) - Port number of data waiting for T.38

6A0DCA(H) - Port number of SIP server

6A0DCC(H) - Priority for SIP and H.323 0: H.323, 1: SIP

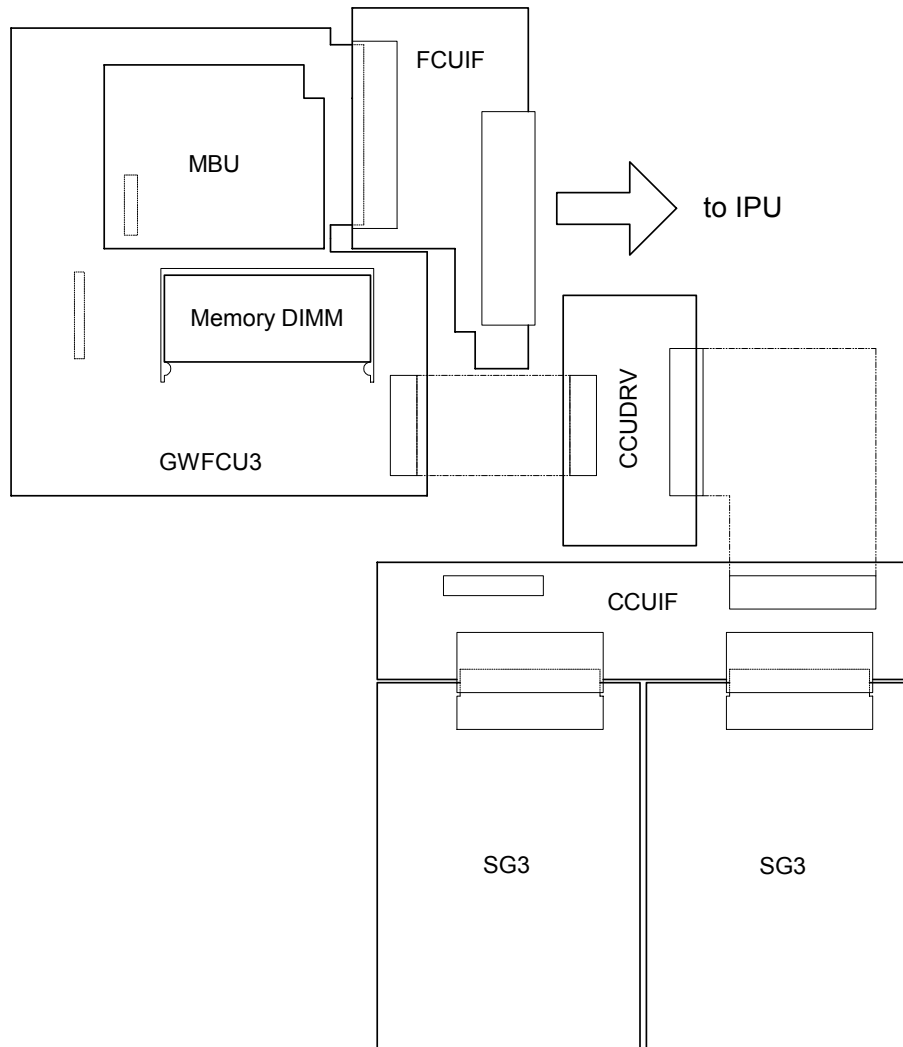
6A0DCD(H) - SIP function 0: Disabled, 1: Enabled

6A0DCE(H) - H.323 function 0: Disabled, 1: Enabled

- 6A0DD0(H)** - RAS/SIP back-up server: IP address (Max. 128 characters- ASCII)
- 6A0DD4(H)** - SIP back-up server: Host name (Max. 128 characters- ASCII)
- 6A0E54(H)** - RAS back-up server: gatekeeper address - Main
(Max. 128 characters- ASCII)
- 6A0ED4(H)** - RAS back-up server: gatekeeper address - Sub
(Max. 128 characters- ASCII)
- 6A0F54(H)** - SIP back-up server: registrar server address - Main
(Max. 128 characters- ASCII)
- 6A0FD4(H)** - SIP back-up server: registrar server address - Sub
(Max. 128 characters- ASCII)
- 6A1054(H)** - RAS back-up server: Arias number (Max. 128 characters- ASCII)
- 6A10D4(H)** - RAS back-up server: Stand-by port number for H.232 connection
- 6A10D6(H)** - RAS back-up server: RAS port number

5. DETAILED SECTION DESCRIPTIONS

5.1 OVERVIEW



B712D501.WMF

The basic fax unit consists of two PCBs: an FCU and an MBU.

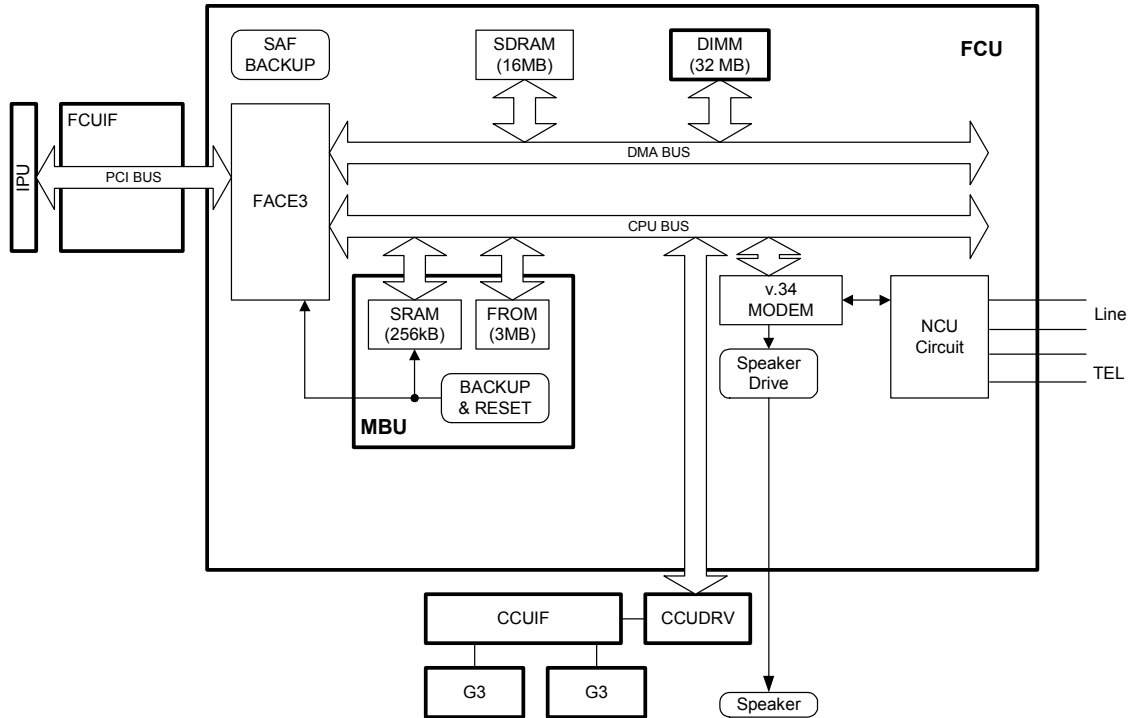
The FCU controls all the fax communications and fax features, in cooperation with the controller board. The MBU contains the ROM and SRAM. Also, the FCU has an NCU circuit.

Fax Options:

1. Extra G3 Interface option: This provides one more analog line interface. This allows full dual access. Two extra G3 interface options can be installed.
2. Memory Expansion: This expands the SAF memory and the page memory (used for image rotation); without this expansion, the page memory is not big enough for image rotation at 400 dpi, so transmission at 400 dpi is not possible.

5.2 BOARDS

5.2.1 FCU



B712D502.WMF

The FCU (Facsimile Control Unit) controls fax communications, the video interface to the base copier's engine, and all the fax options.

FACE3 (Fax Application Control Engine)

- CPU
- Data compression and reconstruction (DCR)
- DMA control
- Clock generation
- DRAM backup control

Modem (FAME)

- V.34, V33, V17, V.29, V.27ter, V.21, and V.8

DRAM

- The 16 MB of DRAM is shared as follows.
SAF memory : 4MB
Working memory : 8MB
Page memory : 4MB
- The SAF memory is backed up by a rechargeable battery.

Memory back-up

- A Rechargeable battery backs up the SAF memory (DRAM) for 1 hour.

5.2.2 MBU

On this board, the flash ROM contains the FCU firmware, and the SRAM contains the system data and user parameters. Even if the FCU is changed, the system data and user parameters are kept on the MBU board.

ROM

- 3MB flash ROMs for system software storage
2MB (16bit x 1MB) + 1MB (16bit x 512K)

SRAM

- The 256 KB SRAM for system and user parameter storage is backed up by a lithium battery.

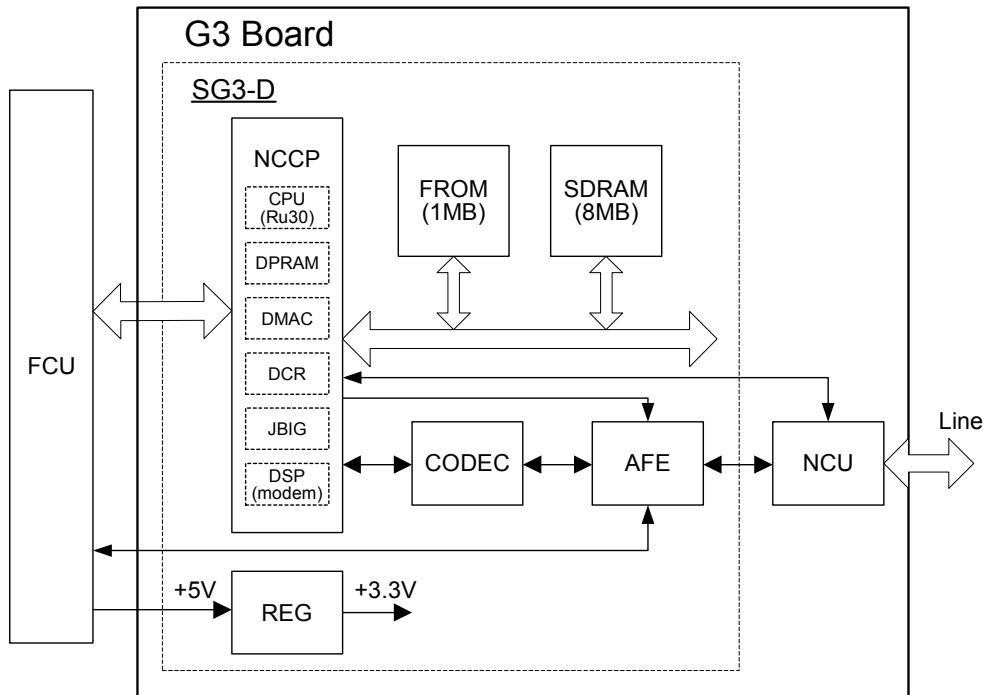
Memory back-up

- A lithium battery backs up the system parameters and programmed items in the SRAM, in case the base copier's main switch is turned off.

Switches

Item	Description
SW1	Switches the SRAM backup battery on/off.

5.2.3 SG3 BOARD



B712D902.WMF

The SG3 board allows up to three simultaneous communications when used in combination with the FCU and optional G3 boards. The NCU is on the same board as the common SG-3 board. This makes the total board structure smaller. But, the specifications of the SG3 board do not change.

NCCP (New Communication Control Processor)

- Controls the SG3 board.
- CPU (RU30)
- DPRAM (Dual Port RAM): Handshaking with the FCU is done through this block.
- DMA controller
- JBIG
- DSP V34 modem (RL5T892): Includes the DTMF Receiver function
- DCR for MH, MR, MMR, and JBIG compression and decompression

FROM

- 1Mbyte flash ROM for SG3 software storage and modem software storage

SDRAM

- 8Mbyte DRAM shared between ECM buffer, line buffer, and working memory

AFE (Analog Front End)

- Analog processing

CODEC (COder-DECoder)

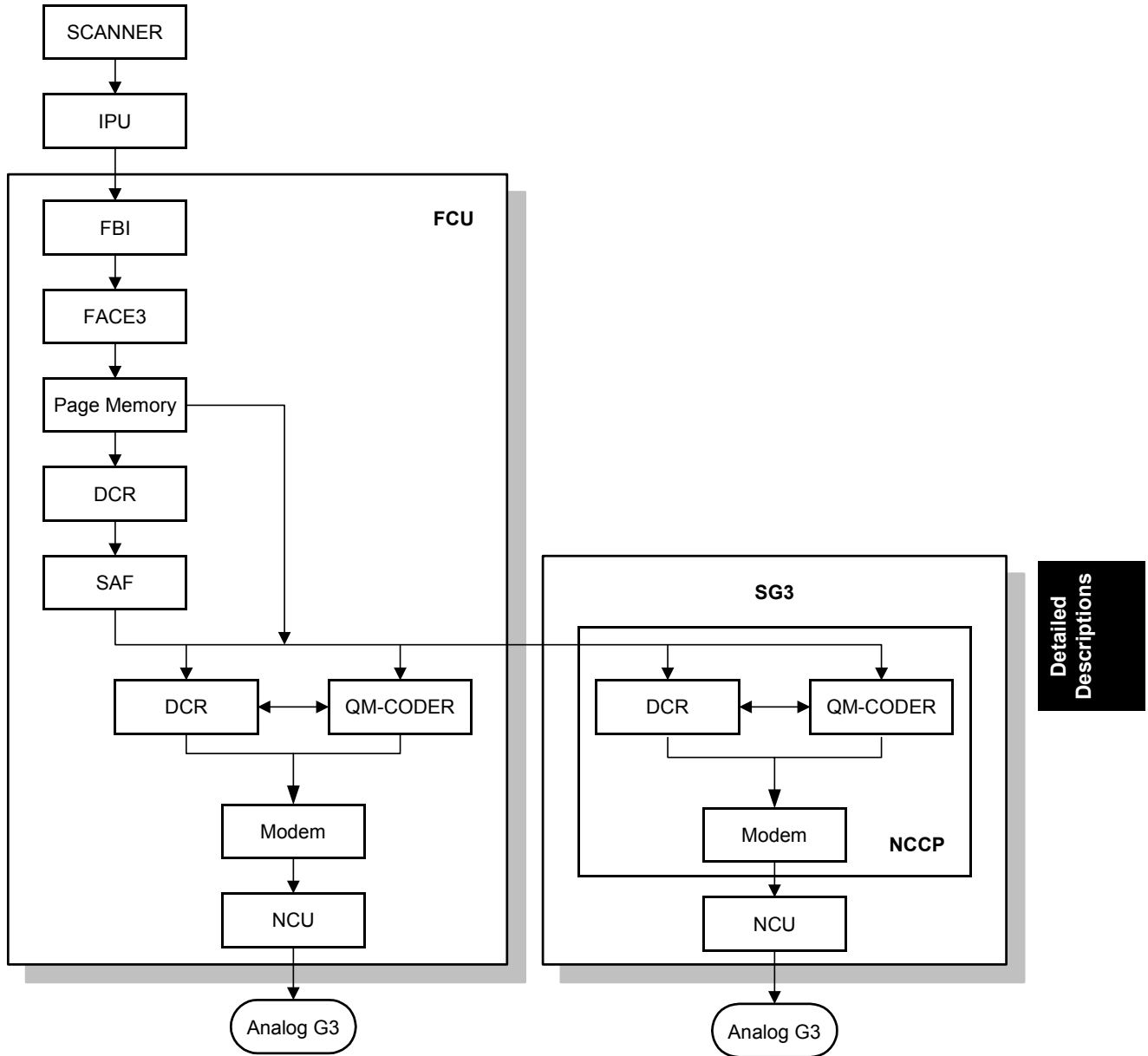
- A/D & D/A conversions for modem

REG

- Generates +3.3 V from the +5V from the FCU

5.3 VIDEO DATA PATH

5.3.1 TRANSMISSION



B712D511.WMF

Memory Transmission and Parallel Memory Transmission

The base copier's scanner scans the original at the selected resolution in inch format. The IPU processes the data and transfers it to the FCU.

NOTE: When scanning a fax original, the IPU uses the MTF, independent dot erase and thresholding parameter settings programmed in the fax unit's scanner bit switches, not the copier's SP modes.

Then, the FCU converts the data to mm format, and compresses the data in MMR or raw format to store it in the SAF memory. If image rotation will be done, the image is rotated in page memory before compression.

At the time of transmission, the FCU decompresses the stored data, then re-compresses and/or reduces the data if necessary for transmission. The NCU transmits the data to the line.

Immediate Transmission

The base copier's scanner scans the original at the resolution agreed with the receiving terminal. The IPU video processes the data and transfers it to the FCU.

NOTE: When scanning a fax original, the IPU uses the MTF, independent dot erase and thresholding parameter settings programmed in the fax unit's scanner bit switches, not the copier's SP modes.

Then the FCU stores the data in page memory, and compresses the data for transmission. The NCU transmits the data to the line.

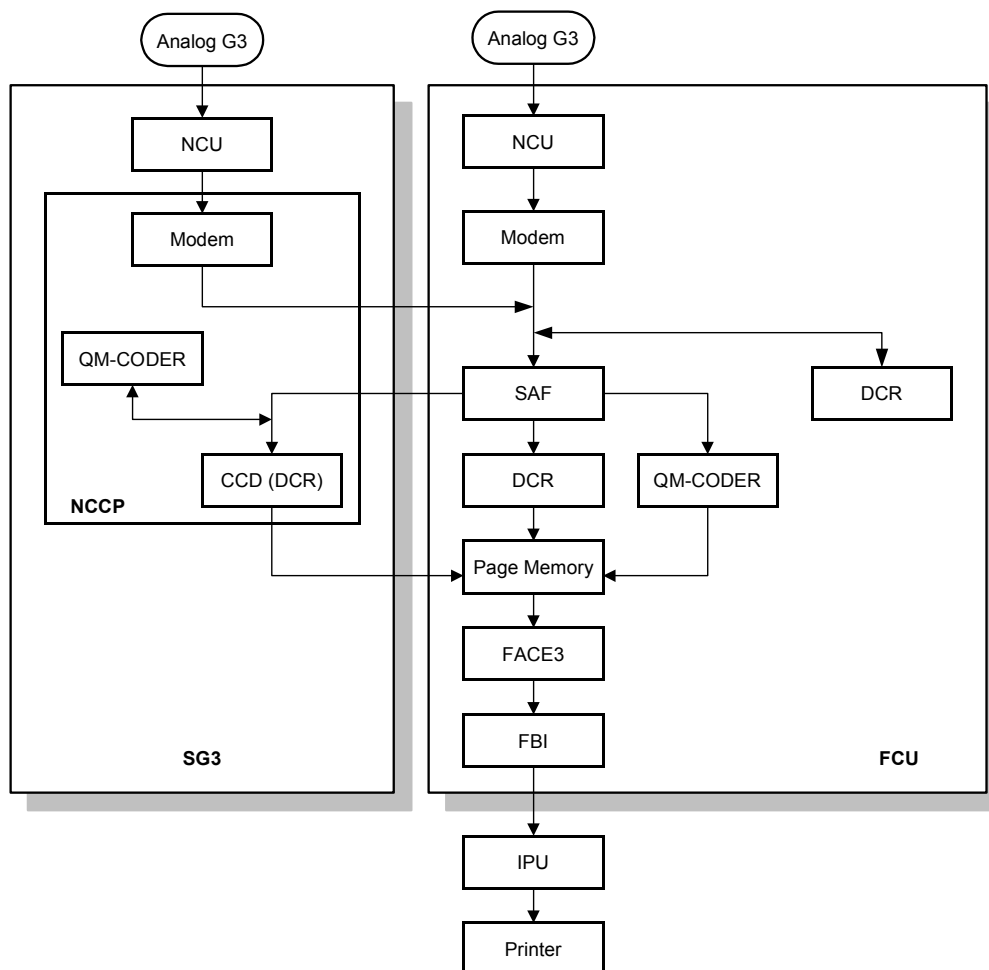
JBIG Transmission

- **Memory transmission:** If the receiver has JBIG compression, the data goes from the DCR to the QM-Coder. Then the NCU transmits the data to the line. When an optional G3 unit (SG3) is installed and PSTN2 is selected as the line type, JBIG compression is available, but only for the PSTN-2 line.
- **Immediate transmission:** If the receiver has JBIG compression, the data goes from the page memory to the QM-Coder. Then the NCU transmits the data to the line. When an optional G3 unit (SG3) is installed and PSTN2 is selected as the line type, JBIG compression is available, but only for the PSTN-2 line.

Adjustments

- Priority for the line used for G3 transmissions (PSTN 1/PSTN 2 or 3): System switch 16 bit 1

5.3.2 RECEPTION



B712D512.WMF

Detailed
Descriptions

First, the FCU stores the incoming data from either an analog line to the SAF memory. (The data goes to the FACE3 at the same time, and is checked for error lines/frames.)

The FCU then decompresses the data and transfers it to page memory. If image rotation will be done, the image is rotated in the page memory. The data is transferred to the IPU.

If the optional G3 unit is installed, the line that the message comes in on depends on the telephone number dialed by the other party (the optional G3 unit has a different telephone number from the main fax board).

JBIG Reception

When data compressed with JBIG comes in on PSTN-1 (the standard analog line), the data is sent to the QM-CODER for decompression. Then the data is stored in the page memory, and transferred to the IPU.

When data compressed with JBIG comes in on PSTN-2 (optional extra analog line), the data is sent to the QM-CODER on the SG3 board for decompression.

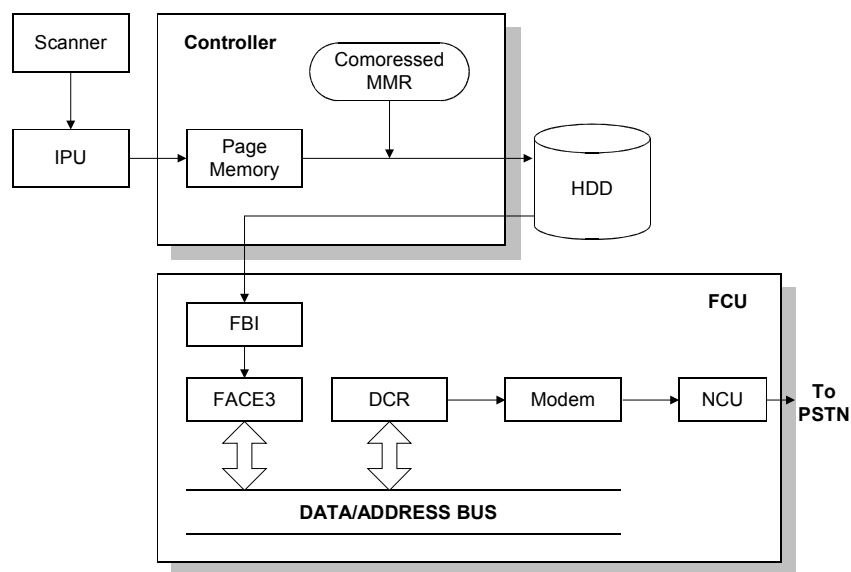
5.4 FAX COMMUNICATION FEATURES

5.4.1 MULTI-PORT

When the optional extra G3 Interface Unit is installed, communication can take place at the same time through the two or three lines at once.

Option	Available Line Type	Available protocol Combinations
Standard only	PSTN	G3
Extra G3 Interface Unit (single)	PSTN + PSTN	G3 + G3
Extra G3 Interface Unit (double)	PSTN + PSTN +PSTN	G3 + G3 +G3

5.4.2 DOCUMENT SERVER



B712D514.WMF

The base copier's scanner scans the original at the selected resolution. The IPU video processes the data and transfers it to the controller board.

Then the controller stores the data in the page memory for the copier function, and compresses the data in MMR (by software) to store it in the HDD. If image rotation will be done, the image is rotated in the page memory before compression.

For transmission, the stored image data is transferred to the FCU. The FCU decompresses the image data, then recompresses and/or reduces the data if necessary for transmission. the NCU transmits the data to the line.

The documents can be stored in the HDD (Document Server) from the fax application. The stored documents in the document sever can be used for the fax transmission in many times. More than one document and the scanned document can be combined into one file and then the file can be transmitted.

- When using the document server, the SAF memory is not used.
- The document is compressed with MMR and stored.
- Up to 9,000 pages can be stored. (1 file: Up to 1,000 pages) from the fax application.
- Only stored documents from the fax application can be transmitted.
- Scanned documents are given a name automatically, such as "FAX001". But it is possible to change the file name, user name and password.
- Up to 30 files can be selected at once.

NOTE: 1) The compression method of the fax application is different from the copy application. The storing time is longer than the copier storing.
2) When selecting "Print 1st page", the stored document will be reduced to A4 size.

5.4.3 INTERNET MAIL COMMUNICATION

Mail Transmission

For details: Core Technology Manual – Facsimile Processes – Faxing from a PC – Internet/LAN Fax Boards – Mail Transmission

Data Formats

The scanned data is converted into a TIFF-F formatted file (only MH compression can be used).

The fields of the e-mail and their contents are as follows:

Field	Content
From	Mail address of the sender
Reply To	Destination requested for reply
To	Mail address of the destination
Bcc	Backup mail address
Subject	From CSI or RTI (Fax Message No. xxxx)
Content Type	Multipart/mixed Attached files: image/tiff
Content Transfer Encoding	Base 64, 7-bit, 8-bit, Quoted Printable
Message Body	MIME-converted TIFF-F (MIME standards specify how files are attached to e-mail messages)

Selectable Options

These options are available for selection:

- With the default settings, the scan resolution can be either standard or detail. Inch-mm conversion before TX depends on IFAX SW01 Bit 7. Detail resolution will be used if Super Fine resolution is selected, unless Fine resolution is enabled with IFAX SW01.
- The requirements for originals (document size, scan width, and memory capacity) are the same as for G3 fax memory tx.
- The default compression is TIFF-F format.
- IFAX SW00: Acceptable paper widths for sending
- IFAX SW09: Maximum number of attempts to the same destination

Secure Internet Transmission

- **SMTP Authentication:**
User Tools> System Settings> File Transfer> SMTP Authentication
- **POP Before SMTP:**
User Tools> System Settings> File Transfer> POP Before SMTP

Mail Reception

This machine supports three types of e-mail reception:

- POP3 (Post Office Protocol Ver. 3.)
- IMAP4 (Internet Messaging Access Protocol)
- SMTP (Simple Mail Transfer Protocol)

For details: Core Technology Manual – Facsimile Processes – Faxing from a PC – Internet/LAN Fax Boards – Mail Reception

POP3/IMAP4 Mail Reception Procedure

The machine automatically picks up e-mail from the server at an interval which is adjustable in the range 2 to 1440 min. in 1-minute steps:

User Tools> System Settings> File Transfer> E-mail Reception Interval

SMTP Reception

- The IFAX must be registered as an SMTP server in the MX record of the DNS server, and the address of the received mail must specify the IFAX.
- Enable SMTP reception:

User Tools> System Settings> File Transfer> Reception Protocol

Even if the MX record on the DNS server includes the IFAX, mail cannot be received with SMTP until SMTP reception is enabled:

However, if SMTP reception is selected and the machine is not registered in the MX record of the DNS server, then either IMAP4 or POP3 is used, depending on the setting:

User Tools> System Settings> File Transfer> Reception Protocol

Mail Delivery Conditions: Transferring Mail Received With SMTP

- 1) The machine must be set up for SMTP mail delivery:
User Tools> Facsimile Features> E-mail Settings> SMTP RX File Delivery Settings
- 2) If the user wishes to limit this feature so that the machine will only deliver mail from designated senders, the machine's "Auth. E-mail RX" feature must be set (User Tools> Facsimile Features> E-mail Settings> SMTP RX File Delivery Settings).
- 3) If the "SMTP RX File Delivery Setting" is set to 0 to prohibit SMTP receiving, and if there is mail designated for delivery, then the machine responds with an error. (User Tools> Facsimile Features> E-mail Settings> SMTP RX File Delivery Settings)
- 4) If the quick dial, speed dial, or group dial entry is incorrect, the mail transmission is lost, and the IFAX issues an error to the SMTP server and outputs an error report.

Auth. E-mail RX

In order to limit access to mail delivery with IFAX, the addresses of senders must be limited using the Access Limit Entry. Only one entry can be registered.

1) Access Limit Entry

For example, to limit access to @IFAX.ricoh.co.jp:

gts@IFAX.ricoh.co.jp	Matches and is delivered.
gts@IFAX.abcde.co.jp	Does not match and is not delivered.
IFAX@ricoh.co.jp	Does not match and is not delivered.

2) Conditions

- The length of the Access Limit Entry is limited to 127 characters.
- If the Access Limit Entry address and the mail address of the incoming mail do not match, the incoming mail is discarded and not delivered, and the SMTP server responds with an error. However, in this case an error report is not output.
- If the Access Limit Entry address is not registered, and if the incoming mail specifies a delivery destination, then the mail is delivered unconditionally.

Handling Mail Reception Errors

Abnormal files

When an error of this type occurs, the machine stops receiving and commands the server to erase the message. Then the machine prints an error report and sends information about the error by e-mail to the sender address (specified in the “From” or “Reply-to” field of the message). If there is an incomplete received message in the machine memory, it will be erased.

The machine prints an error message when it fails to send the receive error notification after a certain number of attempts.

The following types of files are judged to be abnormal if one or more of the following are detected:

1. Unsupported MIME headers.

Supported types of MIME header

Header	Supported Types
Content-Type	Multipart/mixed, text/plain, message/rfc822 Image/tiff
Charset	US-ASCII, ISO 8859 X. Other types cannot be handled, and some garbage may appear in the data.
Content-Transfer-Encoding	Base 64, 7-bit, 8-bit, Quoted Printable

2. MIME decoding errors
3. File format not recognized as TIFF-F format
4. Resolution, document size, or compression type cannot be accepted

Remaining SAF capacity error

The machine calls the server but does not receive e-mail if the remaining SAF capacity is less than a certain value (the value depends on IFAX Switch 08. The e-mail will be received when the SAF capacity increases (for example, after substitute reception files have been printed). The error handling method for this type of error is the same as for “Abnormal files”.

If the capacity of the SAF memory drops to zero during reception, the machine operates in the same way as when receiving an abnormal file (refer to “Abnormal files” above).

Secure Internet Reception

To enable password encryption and higher level security:

User Tools> System Settings> File Transfer> POP3/IMAP4 Settings> Encryption (set to “On”)

Transfer Request

For details: Core Technology Manual – Facsimile Processes – Faxing from a PC – Internet/LAN Fax Boards – Transfer Request

Request by Mail

The fields of the e-mail and their contents are as follows:

Field	Content
From	E-mail address of the requesting terminal
To	Destination address (Transfer Station address)
Bcc	Backup mail address
Subject	From TSI (Fax Message No. xxxx)
Content-Type	Multipart/mixed Text/Plain (for a text part), image/tiff (for attached files)
Content-Transfer-Encoding	Base 64, 7-Bit, 8-bit, Quoted Printable
Mail body (text part)	RELAY-ID-: xxxx (xxxx: 4 digits for an ID code) RELAY: #01#*X#**01....
Message body	MIME-converted TIFF-F.

E-Mail Options (Sub TX Mode)

The following features are available as options for mail sending: entering a subject, designating the level of importance, confirming reception of the mail.

Subject and Level of Importance

You can enter a subject message with: Sub TX Mode> E-mail Options

The Subject entry for the mail being sent is limited to 64 characters. The subject can also be prefixed with an "Urgent" or "High" notation.

How the Subject Differs According to Mail Type

Mail Type	①	②		③
Subject Entry	---	Entry Condition		Fax Message No. + File No.
No Subject Entry		1. "CSI" ("RTI")		
		2. "RTI"	CSI not registered	
		3. "CSI"	RTI not registered	
		4. None	CSI, RTI not registered	
Confirmation of Reception	From	1. "CSI" ("RTI")		Normal: Return Receipt (dispatched). You can select "displayed" with IFAX SW02 Bits 2 and 3.
		2. "RTI"	CSI not registered	
		3. "CSI"	RTI not registered	Error: Return Receipt (processed/error)
		4. None	CSI, RTI not registered	
Mail delivery, memory transfer, SMTP receiving and delivery	From	RTI or CSI of the station designated for delivery	Mail delivery	Fax Message No. + File Number
		RTI or CSI of sender	Mail sending from G3 memory	
		Mail address of sender	Memory sending	
		Mail address of sender	SMTP receiving and delivery (Off Ramp Gateway)	
Mail error notification	---	Error Message No. xxxx From CSI (RTI)		

Detailed Descriptions

Items ① ② ③ of the table above are in the Subject.

Subjects Displayed on the PC

Sender	Date	Size	Subject
▲ Substation 2	04/25/2002	1,513	Parts List
▲ Substation 2	04/26/2002	1,147	Specifications
▲ Main Station	05/09/2002	33,551	📧 [Urgent] Memo 2041
		21,624,288	

E-mail Messages

After entering the subject, you can enter a message with:

Sub TX Mode> E-mail Options

An e-mail message (up to 5 lines) can be pre-registered with:

User Tools> System Settings> File Transfer> Program/Change/Delete E-mail Message

Limitations on Entries

Item	Maximum
Number of Lines	5 lines
Line Length	80 characters
Name Length	20 characters

Message Disposition Notification (MDN)

For details: Core Technology Manual – Facsimile Processes – Faxing from a PC – Internet/LAN Fax Boards – E-mail Options

The network system administrator can confirm whether a sent mail has been received correctly or not. This confirmation is done in four steps.

1. Send request for confirmation of mail reception. To enable or disable this request (known as MDN):

Sub TX Mode> E-mail Options

2. Mail reception (receive confirmation request)
3. Send confirmation of mail reception
4. Receive confirmation of mail reception

The other party's machine will not respond to the request unless the two conditions below are met:

- The other party's machine must be set up to respond to the confirmation request.
- The other party's machine must support MDN (Message Disposition Notification).

- Setting up the Receiving Party -

The receiving party will respond to the confirmation request if:

- 1) The "Disposition Notification To" field is in the received mail header (automatically inserted in the 4th line in the upper table on the previous page, if MDN is enabled), and
- 2) Sending the disposition notification must be enabled (User Parameter Setting SW21 (15 [H]) Bit 1 for this model). The content of the response is as follows:

Normal reception:	"Return Receipt (dispatched)" in the Subject line
IFAX SW02 (Bit 2, 3)	"Return Receipt (displayed)" in the Subject line
Error:	"Return Receipt (processed/error)" in the Subject line

Handling Reports

1. Sending a Request for a Return Receipt by Mail

After the mail sender transmits a request for a return receipt, the mail sender’s journal is annotated with two hyphens (--) in the Result column and a “Q” in the Mode column.

2. Mail Receipt (Request for Receipt Confirmation) and Sending Mail Receipt Response

After the mail receiver sends a response to the request for a return receipt, the mail receiver’s journal is annotated with two hyphens (--) in the Result column and an “A” in the Mode column.

3. Receiving the Return Receipt Mail

- After the mail sender receives a return receipt, the information in the mail sender’s journal about the receipt request is replaced, i.e. the journal is annotated with “OK” in the Result column.
- When the return receipt reports an error, the journal is annotated with an “E” in the Result column.
- The arrival of the return receipt is not recorded in the journal as a separate communication. Its arrival is only reported by the presence of “OK” or “E” in the Result column.
- If the mail address used by the sender specifies a mailing list (i.e., a Group destination; the machine sends the mail to more than one location. See “How to set up Mail Delivery”), the Result column of the Journal is updated every time a return receipt is received. For example, if the mailing list was to 5 destinations, the Result column indicates the result of the communication with the 5th destination only. The results of the communications to the first 4 destinations are not shown.

Exceptions:

If one of the communications had an error, the Result column will indicate E, even if subsequent communications were OK.

If two of the communications had an error, the Journal will indicate the destination for the first error only.

Report Sample

DATE	TIME	ADDRESS	MODE	TIME	PAGE	RESULT
MAY. 5	10:15	fuser_01@dom1g. ricoh. co.	Mail SM	0'09"	2	--
	10:16	fuser_01@dom1g. ricoh. co.	Mail SMQ	0'05"	1	--
	10:17	s_tadashi@dom1g. ricoh. co.	Mail SMQ	0'09"	2	OK
	10:19	m_masataka@dom1g. ricoh. co.	Mail SMA	0'05"	1	--

IFAXD921.WMF

5.5 IP-FAX

What is IP-FAX?

For details: Core Technology Manual – Facsimile Processes – Faxing from a PC – Internet/LAN Fax Boards – IP-FAX

T.38 Packet Format

TCP is selected by default for NIC FAX; you can change this to UDP with LAN switch 10 bit 1.

UDP Related Switches

IP-Fax Switch 01		
No.	FUNCTION	COMMENTS
0-3	Select IP FAX Delay Level Bit 3 2 1 0 Setting 0 0 0 0 Level 0 0 0 0 1 Level 1 0 0 1 0 Level 2 0 0 1 1 Level 3	Raise the level by selecting a higher setting if too many transmission errors are occurring on the network. If TCP/UDP is enabled on the network, raise this setting on the T.30 machine. Increasing the delay time allows the recovery of more lost packets. If only UDP is enabled, increase the number of redundant packets. Level 1~2: 3 Redundant packets Level 3: 4 Redundant packets
4-7	Not used.	Do not change these settings.

Settings

User parameter switch 32 (20[H]), bit 0

IP-Fax Gate Keeper usage

0: No, 1: Yes

LAN switches 10 to 12: Various IP-FAX settings (see the bit switch table)

SPECIFICATIONS

1. GENERAL SPECIFICATIONS

Type:	Desktop type transceiver
Circuit:	PSTN (max. 3ch.) PABX
Connection:	Direct couple
Original Size:	Book (Face down) Maximum Length: 432 mm [17 ins] Maximum Width: 297 mm [11.7 ins] ARDF (Face up) (single sided document) Length: 128 - 1200 mm [5.0 - 47.2 ins] Width: 105 - 297 mm [4.1 - 11.7 inch] (double sided document) Length: 128 - 432 mm [5.0 - 17 inch] Width: 105 - 297 mm [4.1 - 11.7 inch]
Scanning Method:	Flat bed, with CCD
Resolution:	G3 8 x 3.85 lines/mm (Standard) 8 x 7.7 lines/mm (Detail) 8 x 15.4 line/mm (Fine) Note1 16 x15.4 line/mm (Super Fine) See Note. 200 x 100 dpi (Standard) 200 x 200 dpi (Detail) 400 x 400 dpi (Super Fine) See Note. NOTE: Note 1: Optional Expansion Memory required
Transmission Time:	G3: 3 s at 28800 bps; Measured with G3 ECM using memory for an ITU-T #1 test document (Slerexe letter) at standard resolution
Data Compression:	MH, MR, MMR JBIG
Protocol:	Group 3 with ECM
Modulation:	V.34, V.33, V.17 (TCM), V.29 (QAM), V.27ter (PHM), V.8, V.21 (FM)
Data Rate:	G3: 33600/31200/28800/26400/24000/21600/ 19200/16800/14400/12000/9600/7200/4800/2400 bps Automatic fallback
I/O Rate:	With ECM: 0 ms/line Without ECM: 2.5, 5, 10, 20, or 40 ms/line

Memory Capacity: ECM: 128 KB
 SAF
 Standard: 4 MB
 With optional Expansion Memory: 28 MB (4 MB+ 24 MB)
 Page Memory
 Standard: 4 MB (Print: 2 MB + Scanner: 2 MB)
 With optional Expansion Memory: 12 MB (8 MB + 4 MB)
 (Print 8 MB + Scanner: 4 MB)

2. CAPABILITIES OF PROGRAMMABLE ITEMS

The following table shows how the capabilities of each programmable item will change after the optional Fax Function Upgrade Unit is installed.

Item	Standard
Quick Dial	2000
Groups	100
Destination per Group	500
Destinations dialed from the ten-key pad overall	500
Programs	100
Auto Document	6
Communication records for Journal stored in the memory	200
Specific Senders	30

The following table shows how the capabilities of the document memory will change after the optional Fax Function Upgrade Unit and the Expansion Memory are installed.

	Without the Expansion Memory	With the Expansion Memory
Memory Transmission file	400	400
Maximum number of page for memory transmission	1,000	1,000
Memory capacity for memory transmission (Note1)	320	2,240

NOTE: 1) Measured using an ITU-T #1 test document (Slerexe letter) at the standard resolution, the auto image density mode and the Text mode.

3. IFAX SPECIFICATIONS

Type

Fax Unit and Printer/Scanner Unit

Connectivity

Local area network
Ethernet 100base-Tx/10base-T
IEEE1394 (IP over 1394)
IEEE802.11b (wireless LAN)

Connection

100base-Tx/10base-T direct
connection

Resolution

Main scan: 400 dpi, 200 dpi
Sub scan: 400 dpi, 200 dpi, 100 dpi

NOTE: To use 400 dpi, IFAX SW01 Bit 4 must be set to "1" or "Full mode" in the address book of a client pc must be selected with Web Image Monitor.

Transmission Time

1 s (through a LAN to the server)
Condition: ITU-T #1 test document
(Selerexe Letter)
MTF correction: OFF
TTI: None
Resolution: 200 x 100 dpi
Communication speed: 10 Mbps
Correspondent device: E-mail server
Line conditions: No terminal access

Document Size

Maximum message width is A4/LT.

NOTE: To use B4 and A3 width, IFAX SW00 Bit 1 (B4) and/or Bit 2 (A3) must be set to "1" or "Full mode" in the address book of a client pc must be selected with Web Image Monitor.

E-mail File Format

Single/multi-part
MIME conversion
Image: TIFF-F (MH, MR, MMR)
format only

Protocol

(Supported by TCP/IP protocol)

Transmission:

SMTP, TCP/IP

Reception:

POP3, SMTP, IMAP4, TCP/IP

Data rate

100 Mbps(100base-Tx)
10 Mbps (10base-T)

Authentication method

SMTP-AUTH
POP before SMTP
A-POP

Remark

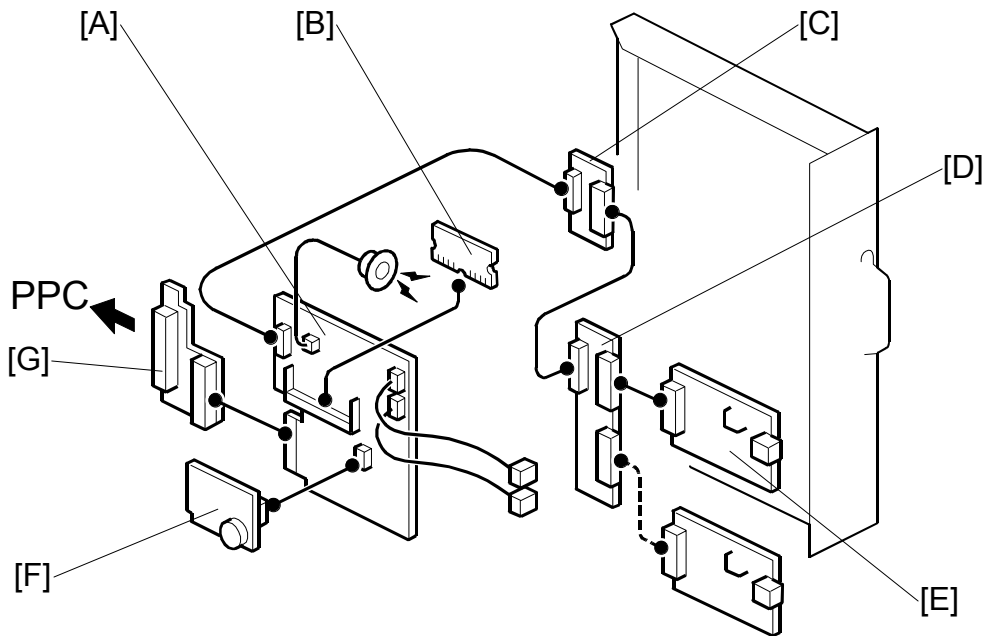
The machine must be set up as an e-mail client before installation. Any client PCs connected to the machine through a LAN must also be e-mail clients, or some features will not work (e.g. Autorouting).

Spec.

4. IP-FAX SPECIFICATIONS

Network:	LAN: Local Area Network Ethernet/10Base-T, 100Base-TX, IEEE1394 (IP over 1394), IEEE802.11b (Wireless LAN)
Scan line density:	8x3.85 lines/mm, 200x100 dpi (standard character), 8x7.7 lines/mm, 200x200 dpi (detail character), 8x15.4 lines/mm, 200x400 dpi (fine character), 16x15.4 lines/mm, 400x400dpi (super fine character)
Original size:	Maximum A3 or 11"x17" (DLT)
Maximum scanning size:	Standard size: A3, 297mm x 432mm, Irregular size 297 x 1200mm
Transmission protocols:	Recommendation: T.38 Annex protocol, TCP, UDP/IP communication
Compatible machines:	IP-Fax compatible machines
IP-Fax transmission function:	Specify IP address and send fax to an IP-Fax compatible fax through a network. Also capable of sending fax to G3 fax connected to the public telephone lines via a VoIP gateway.
IP-Fax reception function:	Receive a fax sent from an IP-Fax compatible fax through a network. Also capable of receiving fax from a G3 fax connected the public telephone lines via a VoIP gateway.

5. MACHINE CONFIGURATION



B712V101.WMF

Component	Machine Code		Remarks
FCU	B712	[A]	Included in the Fax unit.
MBU		[F]	
FCU Interface		[G]	
Expansion Memory	G578	[B]	Option
CCU drive board	B713	[C]	Included in the optional G3 unit.
Interface Board		[D]	
G3 Board		[E]	
Handset Type 1018	B433		USA only Common with J-C1
Marker Type 30	H903		Refill ink for stamp Common with J-C1

Spec.